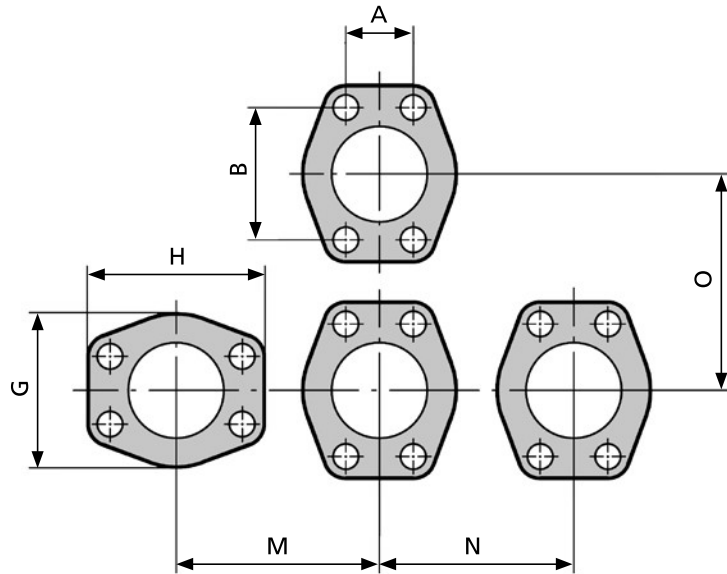


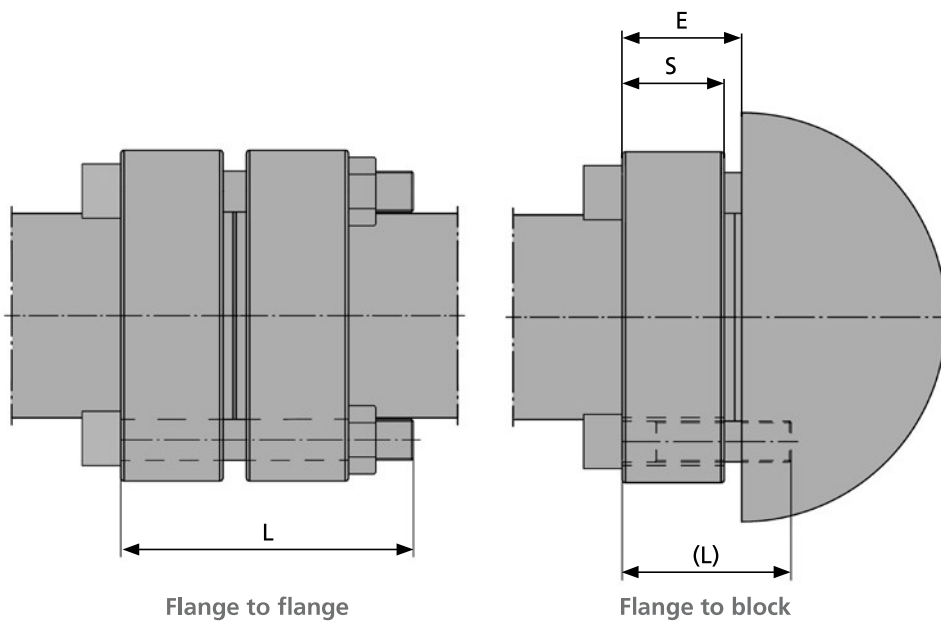
Flange dimensions.....	34
Retain ring flange	35
Flare flange.....	36
Counter flange	37
Flare flange connection – Type A (Metric pipes).....	38
Flare flange connection – Type A (ANSI36.10/36.19 pipes)	39
Flare flange connection – Type B (Metric pipes)	40
Flare flange connection – Type B (ANSI36.10/36.19 pipes)	41
Flare flange connection – Type C (Metric pipes)	42
Flare flange connection – Type C (ANSI36.10/36.19 pipes)	43
Flare flange connection – Type D (Metric pipes).....	44
Flare flange connection – Type D (ANSI36.10/36.19 pipes)	45
Grooving direct on to pipe	46
Flange for welding (1/2"–1").....	47
Flange for welding (1 1/4"–3").....	48
Female thread flange, BSP.....	49
Male thread flange, BSP	50
Male thread flange, NPT & UNF	51
Tee flange	52
Tee block	53
Tee between, BSP	54
Blind flange	55
Flange bend.....	56
Elbow flange	57
Elbow block	58
Reducer flange	59
Reducer block	60
Bulkhead flange	61
Non return valve	62
Ball valve.....	63
GS-hose couplings Gates.....	64
GS-hose couplings Intertraco.....	65
Non-conductive flange connection.....	66
Insert cones (Metric pipes).....	67
Insert cones (ANSI 36.10/36.19 pipes).....	68
Sleeve	69
Adapter.....	70
Seal carrier	71
Retain ring.....	72
Bonded seal	73
O-ring between 37° insert cones.....	74
O-ring 2 for insert cones.....	75
ED-Seal for male thread nipple.....	76

Flange dimensions

ISO 6162-1 (SAE J 518 Code 61)



Port dimensions for flange connections according to ISO 6162-1.



Flange to flange

Flange to block

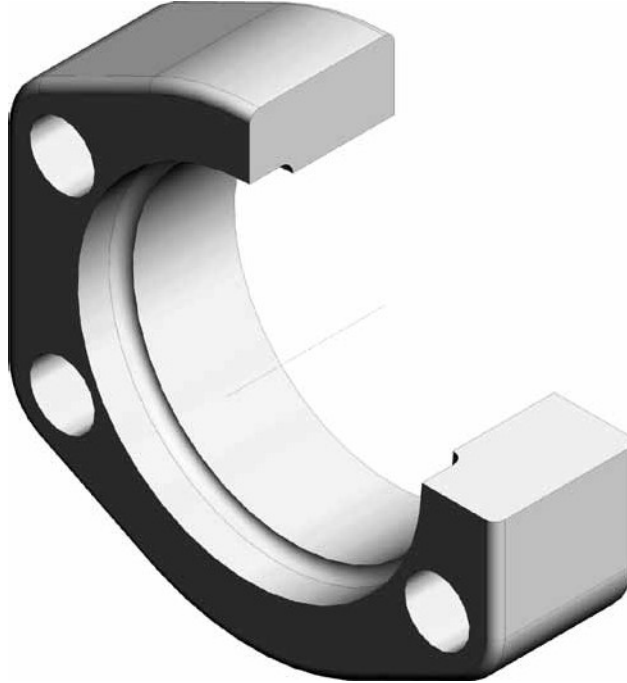
Size	GS-flange type	A	B	G	H	M	N	O	S	E	Bolt L DIN 912, 8.8	W.P. [bar]
1/2"	308	17.5	38.1	46	54	55	51	59	20	24	M8x60(35)	350
3/4"	312	22.2	47.6	52	66	63	57	70	20	24	M10x60(35)	350
1"	316	26.2	52.4	59	70	69	64	75	20	24	M10x60(35)	350
1 1/4"	320	30.2	58.7	73	79	81	78	84	20	25	M10x70(35)	280
1 1/2"	324	35.7	69.9	83	94	93	87	99	25	30	M12x80(45)	280
2"	332	42.9	77.8	97	102	104	102	107	30	35	M12x90(50)	280
2 1/2"	340	50.8	88.9	109	114	117	114	120	40	45	M12x110(60)	210
3"	348	61.9	106.4	131	135	138	136	141	50	58	M16x140(80)	210

Manufacturing tolerance for flange thickness (S) $\pm 5\%$.

L= flange to flange
(L)= flange to block

Retain ring flange

ISO 6162-1 (SAE J 518 Code 61)



SAE 3000 PSI

Metric pipes

Size	Pipe O.D.	Standard Part No	Standard ID Code	HDG Part No	HDG ID Code	SS Part No	SS ID Code	W.P. [bar]	Weight [kg]
1/2"	26	308	1102000100	308HDG	1112009000	308SS	1202000100	350	0.17
3/4"	36	312	1102030000	312HDG	1112039000	312SS	1202030000	350	0.21
1"	39	316	1102060000	316HDG	1112069000	316SS	1202060000	350	0.27
1 1/4"	46	320	1102090000	320HDG	1112099000	320SS	1202090000	280	0.38
1 1/2"	56	324	1102120000	324HDG	1112129000	324SS	1202120000	280	0.63
2"	66	332	1102150000	332HDG	1112159000	332SS	1202150000	280	0.94
2 1/2"	80	340	1102180000	340HDG	1112183500	340SS	1202155000	210	1.51
3"	97	348	1102210000	348HDG	1112213500	348SS	1202157000	210	2.29

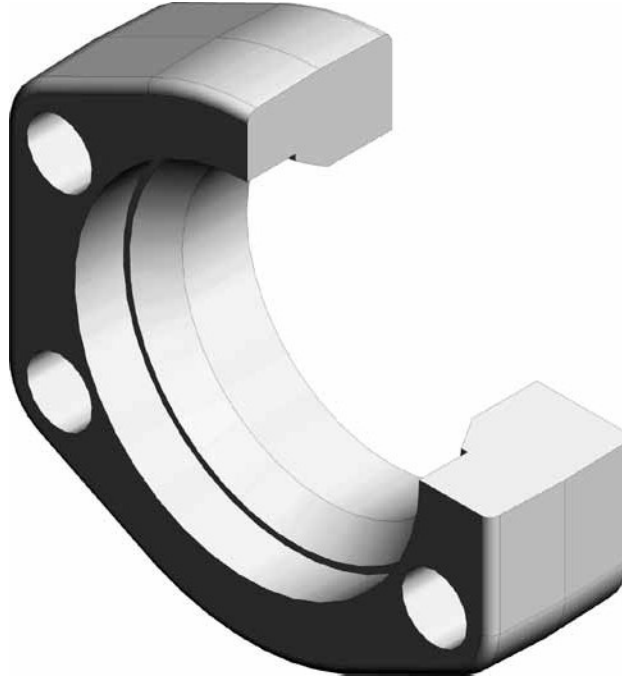
ANSI 36.10/36.19 pipes

Size	Pipe O.D.	Standard Part No	Standard ID Code	HDG Part No	HDG ID Code	SS Part No	SS ID Code	W.P. [bar]	Weight [kg]
1/2"	21.3	308/21.3	1102000500	308/21.3HDG	1112009200	308/21.3SS	1202000500	350	0.17
3/4"	26.7	312/26.7	1102030500	312/26.7HDG	1112039200	312/26.7SS	1202030500	350	0.21
1"	33.4	316/33.4	1102060500	316/33.4HDG	1112069200	316/33.4SS	1202060500	350	0.27
1 1/4"	42.2	320/42.2	1102090500	320/42.2HDG	1112099200	320/42.2SS	1202090500	280	0.38
1 1/2"	48.3	324/48.3	1102120500	324/48.3HDG	1112129200	324/48.3SS	1202120500	280	0.63
2"	60.3	332/60.3	1102150700	332/60.3HDG	1112159500	332/60.3SS	1202150700	280	0.94
2 1/2"	73.0	340/73	1102180700	340/73HDG	1112186200	340/73SS	1202155200	210	1.51
3"	88.9	348/88.9	1102210800	348/88.9HDG	1112211000	348/88.9SS	1202157100	210	2.29

Material possibilities:
 Standard= carbon steel, zinc plated
 -HDG= carbon steel, hot dip galvanized
 -SS= stainless steel
 Other materials on request.

Flare flange

ISO 6162-1 (SAE J 518 Code 61)



Metric pipes

Size	Pipe O.D.	Standard Part No	Standard ID Code	HDG Part No	HDG ID Code	SS Part No	SS ID Code	W.P. [bar]	Weight [kg]
1/2"	25	308F	1102003000	308FHDG	1112006000	308FSS	1202003000	350	0.17
3/4"	30	312F	1102033000	312FHDG	1112036000	312FSS	1202033000	350	0.23
1"	38	316F	1102063000	316FHDG	1112066000	316FSS	1202063000	350	0.27
1 1/4"	42	320F	1102093000	320FHDG	1112096000	320FSS	1202093000	280	0.39
1 1/2"	50	324F	1102123000	324FHDG	1112126000	324FSS	1202123000	280	0.65
2"	60	332F	1102153000	332FHDG	1112156000	332FSS	1202153000	280	0.98
2 1/2"	73	340F	1102183200	340FHDG	1112186400	340FSS	1202156000	210	1.61
3"	90	348F	1102213000	348FHDG	1112213700	348FSS	1202157500	210	2.52

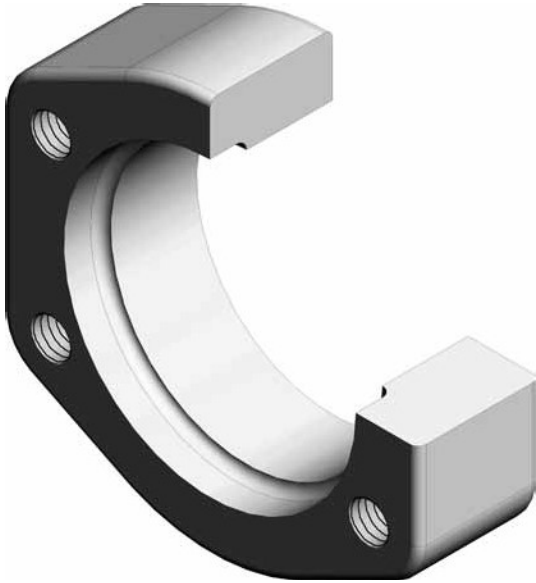
ANSI 36.10/36.19 pipes

Size	Pipe O.D.	Standard Part No	Standard ID Code	HDG Part No	HDG ID Code	SS Part No	SS ID Code	W.P. [bar]	Weight [kg]
1/2"	21.3	308F/21.3	1102005500	308F/21.3HDG	1112009400	308F/21.3SS	1202005500	350	0.21
3/4"	26.7	312F/26.7	1102034000	312F/26.7HDG	1112039400	312F/26.7SS	1202034000	350	0.32
1"	33.4	316F/33.4	1102063600	316F/33.4HDG	1112069400	316F/33.4SS	1202064000	350	0.39
1 1/4"	42.2	320F/42.2	1102094500	320F/42.2HDG	1112099400	320F/42.2SS	1202093800	280	0.45
1 1/2"	48.3	324F/48.3	1102124000	324F/48.3HDG	1112127000	324F/48.3SS	1202124000	280	0.80
2"	60.3	332F/60.3	1102153300	332F/60.3HDG	1112157000	332F/60.3SS	1202153500	280	1.15
2 1/2"	73.0	340F	1102183200	340FHDG	1112186400	340FSS	1202156000	210	1.61
3"	88.9	348F/88.9	1102213200	348F/88.9HDG	1112213300	348F/88.9SS	1202158000	210	2.71

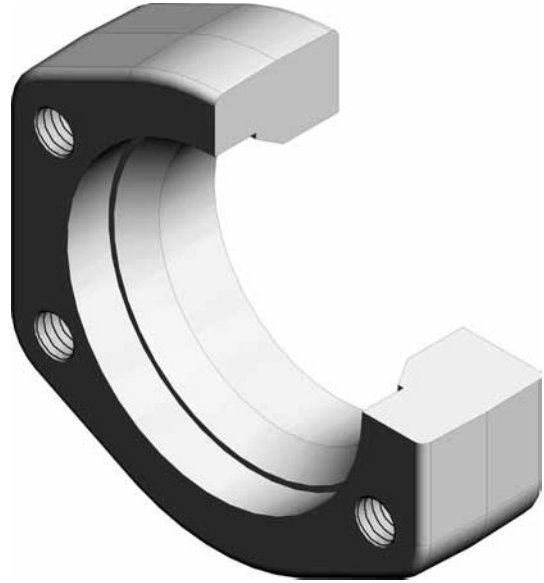
Material possibilities:
 Standard= carbon steel, zinc plated
 -HDG= carbon steel, hot dip galvanized
 -SS= Stainless steel
 Other materials on request.

Counter flange

ISO 6162-1 (SAE J 518 Code 61)



Retain ring flange with threads



Flare flange with threads

SAE 3000 PSI

Retain ring flange

Size	Part No	ID Code	Bolt , DIN 912, 8.8	Weight [kg]
1/2"	308/M8	1102001000	M8X45	0.17
3/4"	312/M10	1102031000	M10X50	0.21
1"	316/M10	1102061000	M10x50	0.27
1 1/4"	320/M10	1102091000	M10X50	0.38
1 1/2"	324/M12	1102121200	M12X60	0.63
2"	332/M12	1102151200	M12X70	0.94

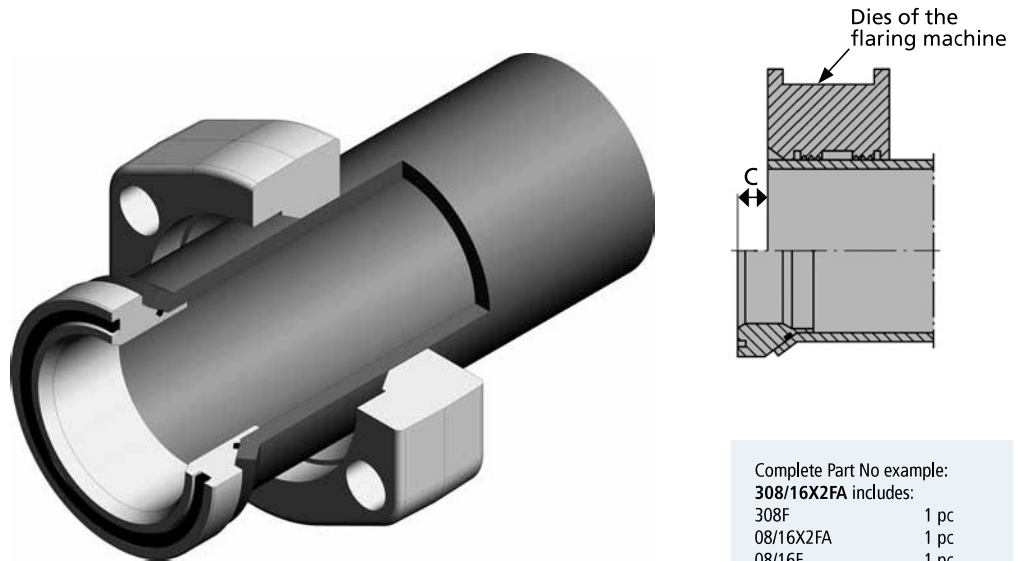
Flare flange

Size	Part No	ID Code	Bolt , DIN 912, 8.8	Weight [kg]
1/2"	308F/M8	1102004000	M8X45	0.17
3/4"	312F/M10	1102033500	M10X50	0.23
1"	316F/M10	1102063300	M10X50	0.27
1 1/4"	320F/M10	1102093100	M10X50	0.39
1 1/2"	324F/M12	1102123500	M12X60	0.65
2"	332F/M12	1102153000	M12x70	0.98

Material possibilities:
 Standard= carbon steel, zinc plated
 -SS= Stainless steel
 Other materials on request.

Flare flange connection – Type A

ISO 6162-1 (SAE J 518 Code 61)



Complete Part No example:
308/16X2FA includes:
 308F 1 pc
 08/16X2FA 1 pc
 08/16F 1 pc
 OR18.64X3.53 1 pc
 OR12X1.0 1 pc

Metric pipes

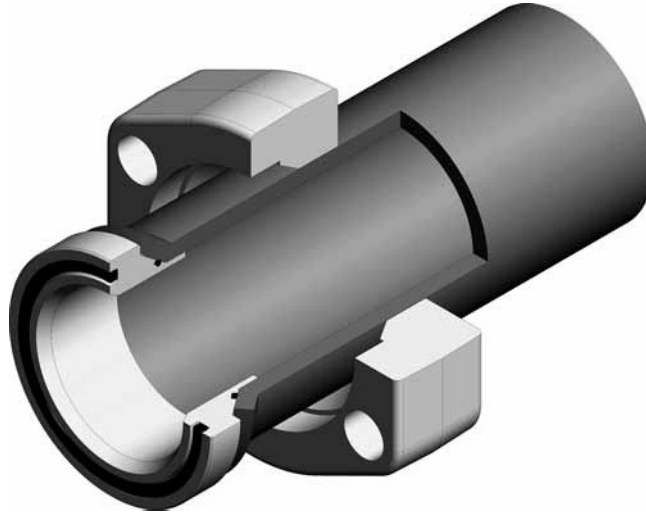
Size	Pipe Size	Complete Part No	Complete ID Code	C	Weight [kg]	Insert Part No	O-Ring Part No	O-Ring2 Part No	Sleeve Part No
1/2"	16x2.0	308/16X2FA	1401500000	10	0.22	08/16X2FA	OR18.64X3.53	OR12X1.0	08/16F
1/2"	18x2.0	308/18X2FA	1401501000	11	0.21	08/18X2FA	OR18.64X3.53	OR14X1.0	08/18F
1/2"	20x2.0	308/20X2FA	1401502000	9	0.22	08/20X2FA	OR18.64X3.53	OR16X1.0	08/20F
1/2"	25x2.5	308/25X2.5FA	1401503000	9	0.22	08/25X2.5FA	OR18.64X3.53	OR20X1.0	None
1/2"	25x3.0	308/25X3FA	1401503500	9	0.22	08/25X3FA	OR18.64X3.53	OR19X1.0	None
3/4"	20x2.0	312/20X2FA	1401505000	12	0.36	12/20X2FA	OR24.99X3.53	OR16X1.0	12/20F
3/4"	20x2.5	312/20X2.5FA	1401505400	12	0.31	12/20X2.5FA	OR24.99X3.53	OR15X1.0	12/20F
3/4"	25x2.5	312/25X2.5FA	1401506100	9	0.34	12/25X2.5FA	OR24.99X3.53	OR20X1.0	12/25F
3/4"	25x3.0	312/25X3FA	1401506600	10	0.34	12/25X3FA	OR24.99X3.53	OR19X1.0	12/25F
3/4"	30x3.0	312/30X3FA	1401507500	9	0.31	12/30X3FA	OR24.99X3.53	OR23X1.0	None
1"	25x2.5	316/25X2.5FA	1401509000	9	0.46	16/25X2.5FA	OR32.92X3.53	OR20X1.0	16/25F
1"	25x3.0	316/25X3FA	1401509500	9	0.46	16/25X3FA	OR32.92X3.53	OR19X1.0	16/25F
1"	30x3.0	316/30X3FA	1401510000	7	0.43	16/30X3FA	OR32.92X3.53	OR23X1.0	16/30F
1"	30x4.0	316/30X4FA	1401510500	7	0.43	16/30X4FA	OR32.92X3.53	OR22X1.0	16/30F
1"	38x4.0	316/38X4FA	1401511000	10	0.37	16/38X4FA	OR32.92X3.53	OR30X1.0	None
1 1/4"	30x3.0	320/30X3FA	1401512000	10	0.61	20/30X3FA	OR37.69X3.53	OR23X1.0	20/30F
1 1/4"	30x4.0	320/30X4FA	1401512302	10	0.50	20/30X4FA	OR37.69X3.53	OR22X1.0	20/30F
1 1/4"	38x4.0	320/38X4FA	1401512500	9	0.56	20/38X4FA	OR37.69X3.53	OR30X1.0	20/38F
1 1/4"	38x5.0	320/38X5FA	1401513000	9	0.53	20/38X5FA	OR37.69X3.53	OR28X1.0	20/38F
1 1/4"	42x4.0	320/42X4FA	1401513500	11	0.51	20/42X4FA	OR37.69X3.53	OR34X1.0	None
1 1/2"	30x3.0	324/30X3FA	1401514100	14	0.91	24/30X3FA	OR47.22X3.53	OR23X1.0	24/30F
1 1/2"	38x4.0	324/38X4FA	1401514500	13	1.02	24/38X4FA	OR47.22X3.53	OR30X1.0	24/38F
1 1/2"	42x4.0	324/42X4FA	1401515000	13	0.97	24/42X4FA	OR47.22X3.53	OR34X1.0	24/42F
1 1/2"	50x5.0	324/50X5FA	1401516000	11	0.86	24/50X5FA	OR47.22X3.53	OR41X1.78	None
2"	50x5.0	332/50X5FA	1401517000	11	1.41	32/50X5FA	OR56.75X3.53	OR41X1.78	32/50F
2"	60x5.0	332/60X5FA	1401516100	11	1.23	32/60X5FA	OR56.75X3.53	OR50.52X1.78	None
2"	60x6.0	332/60X6FA	1401516500	11	1.23	32/60X6FA	OR56.75X3.53	OR47.35X1.78	None
2 1/2"	60x5.0	340/60X5FA	1401517800	12	2.11	40/60X5FA	OR69.44X3.53	OR50.52X1.78	40/60F
2 1/2"	73x7.0	340/73X7FA	1401517922	12	1.90	40/73X7FA	OR69.44X3.53	OR56.87X1.78	None
2 1/2"	73x5.0	340/73X5FA	1401518400	12	1.87	40/73X5FA	OR69.44X3.53	OR63.22X1.78	None
3"	73x5.0	348/73X5FA	1401519000	12	2.90	48/73X5FA	OR85.32X3.53	OR63.22X1.78	48/73F
3"	90x5.0	348/90X5FA	1401519800	14	3.07	48/90X5FA	OR85.32X3.53	OR79X1.78	None

Material possibilities page 168.

Flanges page 36
 Inserts page 67
 Sleeves page 69
 O-rings page 74, 75

Flare flange connection – Type A

ISO 6162-1 (SAE J 518 Code 61)



Complete Part No example:
308/21.3X3.73FA includes:
 308F/21.3 1 pc
 08/21.3X3.73FA 1 pc
 OR18.64X3.53 1 pc
 OR14X1.0 1 pc

ANSI 36.10/36.19 pipes

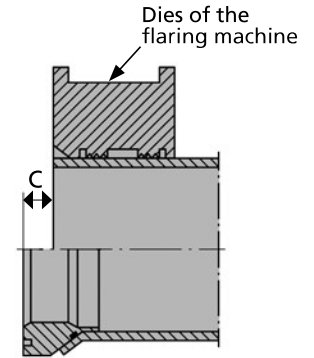
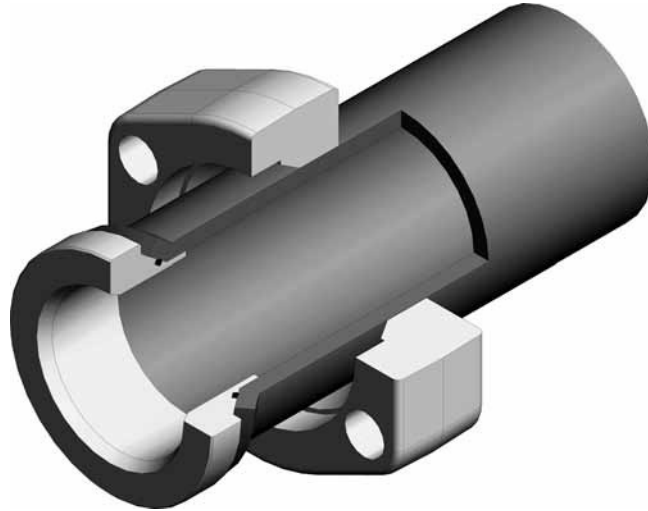
Size	Pipe Size	Complete Part No	Complete ID Code	Weight [kg]	Insert Part No	O-Ring Part No	O-Ring 2 Part No
1/2"	21.3X3.73	308/21.3X3.73FA	1401721000	0.2	08/21.3X3.73FA	OR18.64X3.53	OR14X1.0
1/2"	21.3X4.78	308/21.3X4.78FA	1401722000	0.2	08/21.3X4.78FA	OR18.64X3.53	OR12X1.0
3/4"	26.7X3.91	312/26.7X3.91FA	1401726000	0.3	12/26.7X3.91FA	OR24.99X3.53	OR20X1.0
3/4"	26.7X5.56	312/26.7X5.56FA	1401727000	0.3	12/26.7X5.56FA	OR24.99X3.53	OR16X1.0
1"	33.4X3.38	316/33.4X3.38FA	1401731000	0.5	16/33.4X3.38FA	OR32.92X3.53	OR25X1.0
1"	33.4X4.55	316/33.4X4.55FA	1401732000	0.5	16/33.4X4.55FA	OR32.92X3.53	OR23X1.0
1 1/4"	42.2X3.56	320/42.2X3.56FA	1401740000	0.6	20/42.2X3.56FA	OR37.69X3.53	OR34X1.0
1 1/4"	42.2X4.85	320/42.2X4.85FA	1401741000	0.6	20/42.2X4.85FA	OR37.69X3.53	OR32X1.0
1 1/2"	48.3X3.68	324/48.3X3.68FA	1401745000	0.9	24/48.3X3.68FA	OR47.22X3.53	OR41X1.78
1 1/2"	48.3X5.08	324/48.3X5.08FA	1401746000	0.9	24/48.3X5.08FA	OR47.22X3.53	OR37.82X1.78
2"	60.3X3.91	332/60.3X3.91FA	1401747000	1.4	32/60.3X3.91FA	OR56.75X3.53	OR50.52X1.78
2"	60.3X5.54	332/60.3X5.54FA	1401748000	1.4	32/60.3X5.54FA	OR56.75X3.53	OR47.35X1.78
2 1/2"	73X5.16	340/73X5.16FA	1401749000	2.1	40/73X5.16FA	OR69.44X3.53	OR63.22X1.78
2 1/2"	73X7.01	340/73X7FA	1401517922	2.1	40/73X7FA	OR69.44X3.53	OR56.87X1.78
3"	88.9X5.49	348/88.9X5.49FA	1401751000	3.6	48/88.9X5.49FA	OR85.32X3.53	OR79X1.78
3"	88.9X7.62	348/88.9X7.62FA	1401752000	3.6	48/88.9X7.62FA	OR85.32X3.53	OR72.75X1.78

Material possibilities page 168.

Flanges page 36
 Inserts page 68
 O-rings page 74, 75

Flare flange connection – Type B

ISO 6162-1 (SAE J 518 Code 61)



Complete Part No example:
308/16X2FB includes:
 308F 1 pc
 08/16X2FB 1 pc
 08/16F 1 pc
 OR12X1.0 1 pc

Metric pipes

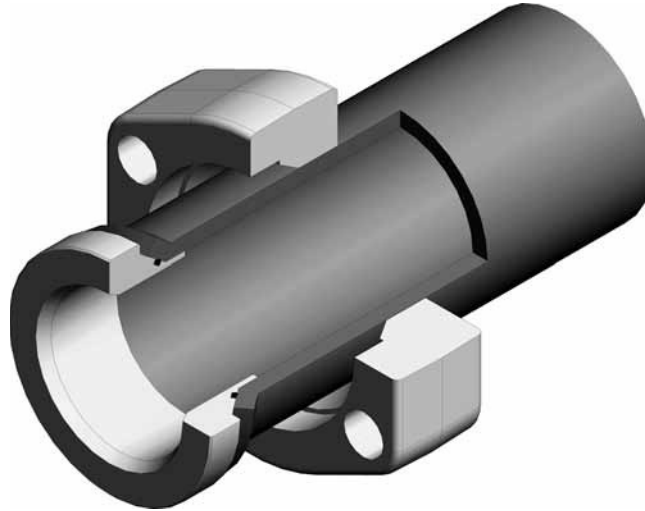
Size	Pipe Size	Complete Part No	Complete ID Code	C	Weight [kg]	Insert Part No	O-Ring2 Part No	Sleeve Part No
1/2"	16x2.0	308/16X2FB	1401500100	10	0.22	08/16X2FB	OR12X1.0	08/16F
1/2"	18x2.0	308/18X2FB	1401501100	11	0.21	08/18X2FB	OR14X1.0	08/18F
1/2"	20x2.0	308/20X2FB	1401502100	9	0.22	08/20X2FB	OR16X1.0	08/20F
1/2"	25x2.5	308/25X2.5FB	1401503100	9	0.22	08/25X2.5FB	OR20X1.0	None
1/2"	25x3.0	308/25X3FB	1401503600	9	0.22	08/25X3FB	OR19X1.0	None
3/4"	20x2.0	312/20X2FB	1401505100	12	0.36	12/20X2FB	OR16X1.0	12/20F
3/4"	20x2.5	312/20X2.5FB	1401505500	12	0.31	12/20X2.5FB	OR15X1.0	12/20F
3/4"	25x2.5	312/25X2.5FB	1401506200	9	0.34	12/25X2.5FB	OR20X1.0	12/25F
3/4"	25x3.0	312/25X3FB	1401506700	10	0.34	12/25X3FB	OR19X1.0	12/25F
3/4"	30x3.0	312/30X3FB	1401507600	9	0.31	12/30X3FB	OR23X1.0	None
1"	25x2.5	316/25X2.5FB	1401509100	9	0.46	16/25X2.5FB	OR20X1.0	16/25F
1"	25x3.0	316/25X3FB	1401509600	9	0.46	16/25X3FB	OR19X1.0	16/25F
1"	30x3.0	316/30X3FB	1401510100	7	0.43	16/30X3FB	OR23X1.0	16/30F
1"	30x4.0	316/30X4FB	1401510600	7	0.43	16/30X4FB	OR22X1.0	16/30F
1"	38x4.0	316/38X4FB	1401511100	10	0.37	16/38X4FB	OR30X1.0	None
1 1/4"	30x3.0	320/30X3FB	1401512100	10	0.61	20/30X3FB	OR23X1.0	20/30F
1 1/4"	30x4.0	320/30X4FB	1401512304	10	0.50	20/30X4FB	OR22X1.0	20/30F
1 1/4"	38x4.0	320/38X4FB	1401512600	9	0.56	20/38X4FB	OR30X1.0	20/38F
1 1/4"	38x5.0	320/38X5FB	1401513100	9	0.53	20/38X5FB	OR28X1.0	20/38F
1 1/4"	42x4.0	320/42X4FB	1401513600	11	0.51	20/42X4FB	OR34X1.0	None
1 1/2"	30x3.0	324/30X3FB	1401514200	14	0.91	24/30X3FB	OR23X1.0	24/30F
1 1/2"	38x4.0	324/38X4FB	1401514600	13	1.02	24/38X4FB	OR30X1.0	24/38F
1 1/2"	42x4.0	324/42X4FB	1401515100	13	0.97	24/42X4FB	OR34X1.0	24/42F
1 1/2"	50x5.0	324/50X5FB	1401516010	11	0.86	24/50X5FB	OR41X1.78	None
2"	50x5.0	332/50X5FB	1401517100	11	1.41	32/50X5FB	OR41X1.78	32/50F
2"	60x5.0	332/60X5FB	1401516110	11	1.23	32/60X5FB	OR50.52X1.78	None
2"	60x6.0	332/60X6FB	1401516600	11	1.23	32/60X6FB	OR47.35X1.78	None
2 1/2"	60x5.0	340/60X5FB	1401517810	12	2.11	40/60X5FB	OR50.52X1.78	40/60F
2 1/2"	73x7.0	340/73X7FB	1401517924	12	1.90	40/73X7FB	OR56.87X1.78	None
2 1/2"	73x5.0	340/73X5FB	1401518410	12	1.87	40/73X5FB	OR63.22X1.78	None
3"	73x5.0	348/73X5FB	1401519010	12	2.90	48/73X5FB	OR63.22X1.78	48/73F
3"	90x5.0	348/90X5FB	1401519900	14	3.07	48/90X5FB	OR79X1.78	None

Material possibilities page 168.

Flanges page 36
 Inserts page 67
 Sleeves page 69
 O-rings page 75

Flare flange connection – Type B

ISO 6162-1 (SAE J 518 Code 61)



Complete Part No example:
308/21.3X3.73FB includes:
 308F/21.3 1 pc
 08/21.3X3.73FB 1 pc
 OR14X1.0 1 pc

ANSI 36.10/36.19 pipes

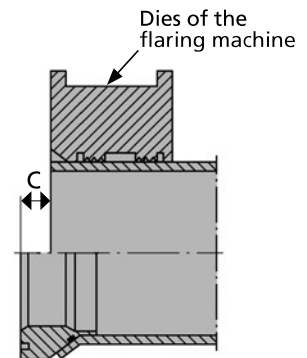
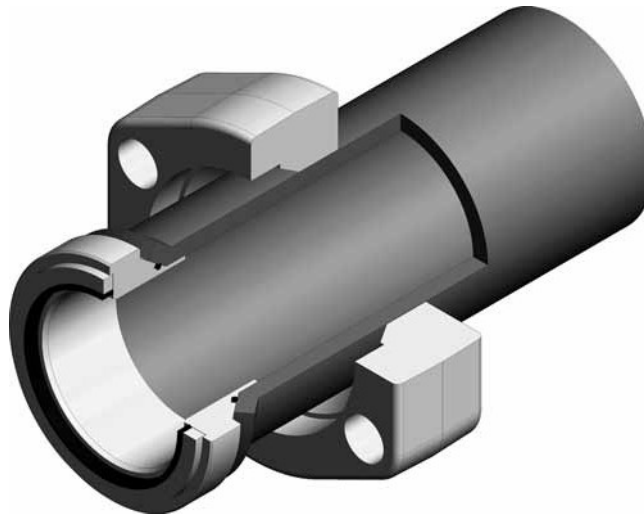
Size	Pipe Size	Complete Part No	Complete ID Code	Weight [kg]	Insert Part No	O-Ring 2 Part No
1/2"	21.3X3.73	308/21.3X3.73FB	1401721200	0.2	08/21.3X3.73FB	OR14X1.0
1/2"	21.3X4.78	308/21.3X4.78FB	1401722200	0.2	08/21.3X4.78FB	OR12X1.0
3/4"	26.7X3.91	312/26.7X3.91FB	1401726200	0.3	12/26.7X3.91FB	OR20X1.0
3/4"	26.7X5.56	312/26.7X5.56FB	1401727200	0.3	12/26.7X5.56FB	OR16X1.0
1"	33.4X3.38	316/33.4X3.38FB	1401731200	0.5	16/33.4X3.38FB	OR25X1.0
1"	33.4X4.55	316/33.4X4.55FB	1401732200	0.5	16/33.4X4.55FB	OR23X1.0
1 1/4"	42.2X3.56	320/42.2X3.56FB	1401740200	0.6	20/42.2X3.56FB	OR34X1.0
1 1/4"	42.2X4.85	320/42.2X4.85FB	1401741200	0.6	20/42.2X4.85FB	OR32X1.0
1 1/2"	48.3X3.68	324/48.3X3.68FB	1401745200	0.9	24/48.3X3.68FB	OR41X1.78
1 1/2"	48.3X5.08	324/48.3X5.08FB	1401746200	0.9	24/48.3X5.08FB	OR37.82X1.78
2"	60.3X3.91	332/60.3X3.91FB	1401747200	1.4	32/60.3X3.91FB	OR50.52X1.78
2"	60.3X5.54	332/60.3X5.54FB	1401748200	1.4	32/60.3X5.54FB	OR47.35X1.78
2 1/2"	73X5.16	340/73X5.16FB	1401749200	2.1	40/73X5.16FB	OR63.22X1.78
2 1/2"	73X7.01	340/73X7FB	1401517924	2.1	40/73X7FB	OR56.87X1.78
3"	88.9X5.49	348/88.9X5.49FB	1401751200	3.6	48/88.9X5.49FB	OR79X1.78
3"	88.9X7.62	348/88.9X7.62FB	1401752200	3.6	48/88.9X7.62FB	OR72.75X1.78

Material possibilities page 168.

Flanges page 36
 Inserts page 68
 O-rings page 75

Flare flange connection – Type C

ISO 6162-1 (SAE J 518 Code 61)



Complete Part No example:
308/16X2FC includes:
 308F 1 pc
 08/16X2FC 1 pc
 08/16F 1 pc
 0823 1 pc
 OR12X1.0 1 pc

Metric pipes

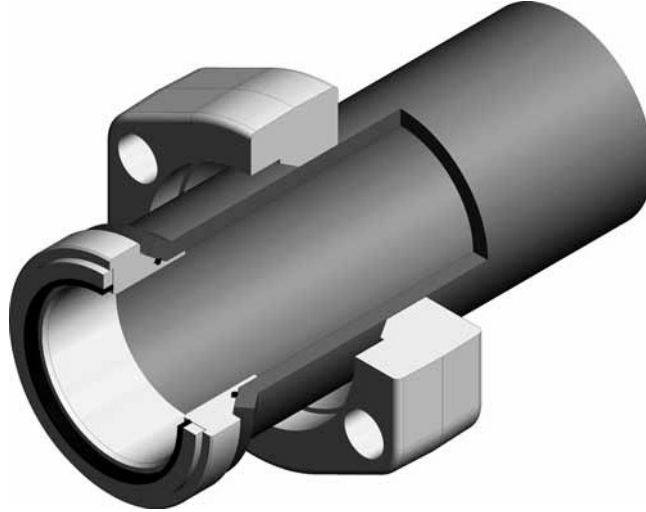
Size	Pipe Size	Complete Part No	Complete ID Code	C	Weight [kg]	Insert Part No	Bonded seal Part No	O-Ring2 Part No	Sleeve Part No
1/2"	16x2.0	308/16X2FC	1401500200	10	0.22	08/16X2FC	0823	OR12X1.0	08/16F
1/2"	18x2.0	308/18X2FC	1401501200	11	0.21	08/18X2FC	0823	OR14X1.0	08/18F
1/2"	20x2.0	308/20X2FC	1401502200	9	0.22	08/20X2FC	0823	OR16X1.0	08/20F
1/2"	25x2.5	308/25X2.5FC	1401503200	9	0.22	08/25X2.5FC	0823	OR20X1.0	None
1/2"	25x3.0	308/25X3FC	1401503700	9	0.22	08/25X3FC	0823	OR19X1.0	None
3/4"	20x2.0	312/20X2FC	1401505200	12	0.36	12/20X2FC	1213	OR16X1.0	12/20F
3/4"	20x2.5	312/20X2.5FC	1401505700	12	0.31	12/20X2.5FC	1213	OR15X1.0	12/20F
3/4"	25x2.5	312/25X2.5FC	1401506300	9	0.34	12/25X2.5FC	1213	OR20X1.0	12/25F
3/4"	25x3.0	312/25X3FC	1401506800	10	0.34	12/25X3FC	1213	OR19X1.0	12/25F
3/4"	30x3.0	312/30X3FC	1401507700	9	0.31	12/30X3FC	1213	OR23X1.0	None
1"	25x2.5	316/25X2.5FC	1401509200	9	0.46	16/25X2.5FC	1629	OR20X1.0	16/25F
1"	25x3.0	316/25X3FC	1401509700	9	0.46	16/25X3FC	1629	OR19X1.0	16/25F
1"	30x3.0	316/30X3FC	1401510200	7	0.43	16/30X3FC	1629	OR23X1.0	16/30F
1"	30x4.0	316/30X4FC	1401510700	7	0.43	16/30X4FC	1629	OR22X1.0	16/30F
1"	38x4.0	316/38X4FC	1401511200	10	0.37	16/38X4FC	1629	OR30X1.0	None
1 1/4"	30x3.0	320/30X3FC	1401512200	10	0.61	20/30X3FC	2030	OR23X1.0	20/30F
1 1/4"	30x4.0	320/30X4FC	1401512306	10	0.50	20/30X4FC	2030	OR22X1.0	20/30F
1 1/4"	38x4.0	320/38X4FC	1401512700	9	0.56	20/38X4FC	2030	OR30X1.0	20/38F
1 1/4"	38x5.0	320/38X5FC	1401513200	9	0.53	20/38X5FC	2030	OR28X1.0	20/38F
1 1/4"	42x4.0	320/42X4FC	1401513700	11	0.51	20/42X4FC	2030	OR34X1.0	None
1 1/2"	30x3.0	324/30X3FC	1401514300	14	0.91	24/30X3FC	2432	OR23X1.0	24/30F
1 1/2"	38x4.0	324/38X4FC	1401514700	13	1.02	24/38X4FC	2432	OR30X1.0	24/38F
1 1/2"	42x4.0	324/42X4FC	1401515200	13	0.97	24/42X4FC	2432	OR34X1.0	24/42F
1 1/2"	50x5.0	324/50X5FC	1401516020	11	0.86	24/50X5FC	2432	OR41X1.78	None
2"	50x5.0	332/50X5FC	1401517200	11	1.41	32/50X5FC	3219	OR41X1.78	32/50F
2"	60x5.0	332/60X5FC	1401516120	11	1.23	32/60X5FC	3219	OR50.52X1.78	None
2"	60x6.0	332/60X6FC	1401516700	11	1.23	32/60X6FC	3219	OR47.35X1.78	None
2 1/2"	60x5.0	340/60X5FC	1401517900	12	2.11	40/60X5FC	4037	OR50.52X1.78	40/60F
2 1/2"	73x7.0	340/73X7FC	1401517926	12	1.90	40/73X7FC	4037	OR56.87X1.78	None
2 1/2"	73x5.0	340/73X5FC	1401518420	12	1.87	40/73X5FC	4037	OR63.22X1.78	None
3"	73x5.0	348/73X5FC	1401519020	12	2.90	48/73X5FC	4839	OR63.22X1.78	48/73F
3"	90x5.0	348/90X5FC	1401520000	14	3.07	48/90X5FC	4839	OR79X1.78	None

Material possibilities page 168.

Flanges page 36
 Inserts page 67
 Sleeves page 69
 O-rings page 75
 Bonded seals page 73

Flare flange connection – Type C

ISO 6162-1 (SAE J 518 Code 61)



Complete Part No example:
308/21.3X3.73FC includes:
 308F/21.3 1 pc
 08/21.3X3.73FD 1 pc
 0823 1 pc
 OR14X1.0 1 pc

ANSI 36.10/36.19 pipes (with standard GS bonded seal)

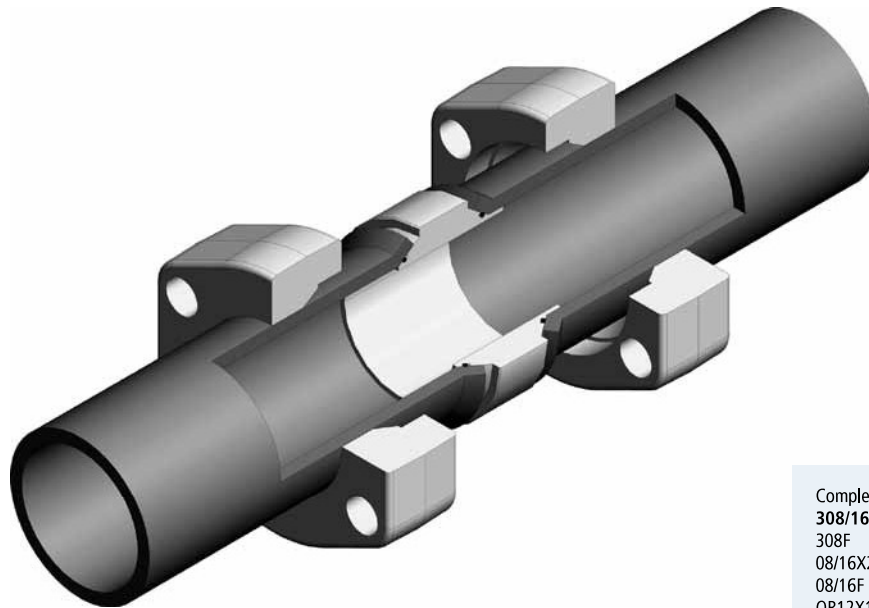
Size	Pipe Size	Complete Part No	Complete ID Code	Weight [kg]	Insert Part No	Bonded seal Part No	O-Ring 2 Part No
1/2"	21.3X3.73	308/21.3X3.73FC	1401721400	0.2	08/21.3X3.73FC	0823	OR14X1.0
1/2"	21.3X4.78	308/21.3X4.78FC	1401722400	0.2	08/21.3X4.78FC	0823	OR12X1.0
3/4"	26.7X3.91	312/26.7X3.91FC	1401726400	0.3	12/26.7X3.91FC	1213	OR20X1.0
3/4"	26.7X5.56	312/26.7X5.56FC	1401727400	0.3	12/26.7X5.56FC	1213	OR16X1.0
1"	33.4X3.38	316/33.4X3.38FC	1401731400	0.5	16/33.4X3.38FC	1629	OR25X1.0
1"	33.4X4.55	316/33.4X4.55FC	1401732400	0.5	16/33.4X4.55FC	1629	OR23X1.0
1 1/4"	42.2X3.56	320/42.2X3.56FC	1401740400	0.6	20/42.2X3.56FC	2030	OR34X1.0
1 1/4"	42.2X4.85	320/42.2X4.85FC	1401741400	0.6	20/42.2X4.85FC	2030	OR32X1.0
1 1/2"	48.3X3.68	324/48.3X3.68FC	1401745400	0.9	24/48.3X3.68FC	2432	OR41X1.78
1 1/2"	48.3X5.08	324/48.3X5.08FC	1401746400	0.9	24/48.3X5.08FC	2432	OR37.82X1.78
2"	60.3X3.91	332/60.3X3.91FC	1401747400	1.4	32/60.3X3.91FC	3219	OR50.52X1.78
2"	60.3X5.54	332/60.3X5.54FC	1401748400	1.4	32/60.3X5.54FC	3219	OR47.35X1.78
2 1/2"	73X5.16	340/73X5.16FC	1401749400	2.1	40/73X5.16FC	4037	OR63.22X1.78
2 1/2"	73X7.01	340/73X7FC	1401517926	2.1	40/73X7FC	4037	OR56.87X1.78
3"	88.9X5.49	348/88.9X5.49FC	1401751400	3.6	48/88.9X5.49FC	4839	OR79X1.78
3"	88.9X7.62	348/88.9X7.62FC	1401752400	3.6	48/88.9X7.62FC	4839	OR72.75X1.78

Material possibilities page 168.

Flanges page 36
 Inserts page 68
 O-rings page 75
 Bonded seals page 73

Flare flange connection – Type D

ISO 6162-1 (SAE J 518 Code 61)



Complete Part No example:
308/16X2FD includes:
 308F 2 pcs
 08/16X2FD 1 pc
 08/16F 2 pcs
 OR12X1.0 2 pcs

Metric pipes

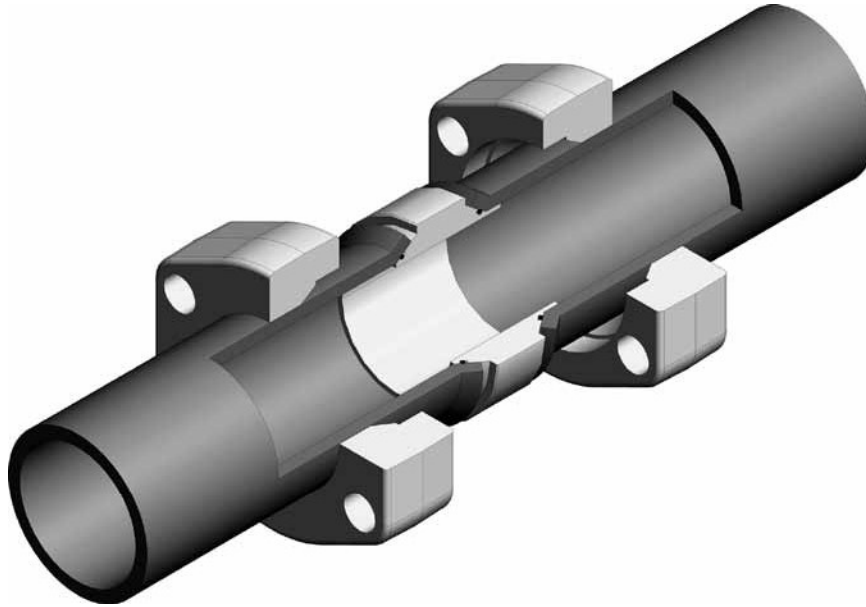
Size	Pipe Size	Complete Part No	Complete ID Code	Weight [kg]	Insert Part No	O-Ring2 Part No	Sleeve Part No
1/2"	16x2.0	308/16X2FD	1401500300	0.39	08/16X2FD	OR12X1.0	08/16F
1/2"	18x2.0	308/18X2FD	1401501300	0.38	08/18X2FD	OR14X1.0	08/18F
1/2"	20x2.0	308/20X2FD	1401502300	0.39	08/20X2FD	OR16X1.0	08/20F
1/2"	25x2.5	308/25X2.5FD	1401503300	0.39	08/25X2.5FD	OR20X1.0	None
1/2"	25x3.0	308/25X3FD	1401503800	0.39	08/25X3FD	OR19X1.0	None
3/4"	20x2.0	312/20X2FD	1401505300	0.60	12/20X2FD	OR16X1.0	12/20F
3/4"	20x2.5	312/20X2.5FD	1401505900	0.55	12/20X2.5FD	OR15X1.0	12/20F
3/4"	25x2.5	312/25X2.5FD	1401506400	0.57	12/25X2.5FD	OR20X1.0	12/25F
3/4"	25x3.0	312/25X3FD	1401506900	0.57	12/25X3FD	OR19X1.0	12/25F
3/4"	30x3.0	312/30X3FD	1401507800	0.55	12/30X3FD	OR23X1.0	None
1"	25x2.5	316/25X2.5FD	1401509300	0.72	16/25X2.5FD	OR20X1.0	16/25F
1"	25x3.0	316/25X3FD	1401509800	0.72	16/25X3FD	OR19X1.0	16/25F
1"	30x3.0	316/30X3FD	1401510300	0.69	16/30X3FD	OR23X1.0	16/30F
1"	30x4.0	316/30X4FD	1401510800	0.69	16/30X4FD	OR22X1.0	16/30F
1"	38x4.0	316/38X4FD	1401511300	0.62	16/38X4FD	OR30X1.0	None
1 1/4"	30x3.0	320/30X3FD	1401512300	1.01	20/30X3FD	OR23X1.0	20/30F
1 1/4"	30x4.0	320/30X4FD	1401512308	0.90	20/30X4FD	OR22X1.0	20/30F
1 1/4"	38x4.0	320/38X4FD	1401512800	0.96	20/38X4FD	OR30X1.0	20/38F
1 1/4"	38x5.0	320/38X5FD	1401513300	0.93	20/38X5FD	OR28X1.0	20/38F
1 1/4"	42x4.0	320/42X4FD	1401513800	0.91	20/42X4FD	OR34X1.0	None
1 1/2"	30x3.0	324/30X3FD	1401514400	1.57	24/30X3FD	OR23X1.0	24/30F
1 1/2"	38x4.0	324/38X4FD	1401514800	1.67	24/38X4FD	OR30X1.0	24/38F
1 1/2"	42x4.0	324/42X4FD	1401515300	1.63	24/42X4FD	OR34X1.0	24/42F
1 1/2"	50x5.0	324/50X5FD	1401516030	1.52	24/50X5FD	OR41X1.78	None
2"	50x5.0	332/50X5FD	1401517300	2.42	32/50X5FD	OR41X1.78	32/50F
2"	60x5.0	332/60X5FD	1401516130	2.24	32/60X5FD	OR50.52X1.78	None
2"	60x6.0	332/60X6FD	1401516800	2.24	32/60X6FD	OR47.35X1.78	None
2 1/2"	60x5.0	340/60X5FD	1401517910	3.61	40/60X5FD	OR50.52X1.78	40/60F
2 1/2"	73x7.0	340/73X7FD	1401517928	3.40	40/73X7FD	OR56.87X1.78	None
2 1/2"	73x5.0	340/73X5FD	1401518430	3.34	40/73X5FD	OR63.22X1.78	None
3"	73x5.0	348/73X5FD	1401519030	4.45	48/73X5FD	OR63.22X1.78	48/73F
3"	90x5.0	348/90X5FD	1401520100	5.64	48/90X5FD	OR79X1.78	None

Material possibilities page 168.

Flanges page 36
 Inserts page 67
 O-rings page 75

Flare flange connection – Type D

ISO 6162-1 (SAE J 518 Code 61)



Complete Part No example:
308/21.3X3.73FD includes:
 308F/21.3 2 pcs
 08/21.3X3.73FD 1 pc
 OR14X1.0 2 pcs

ANSI 36.10/36.19 pipes

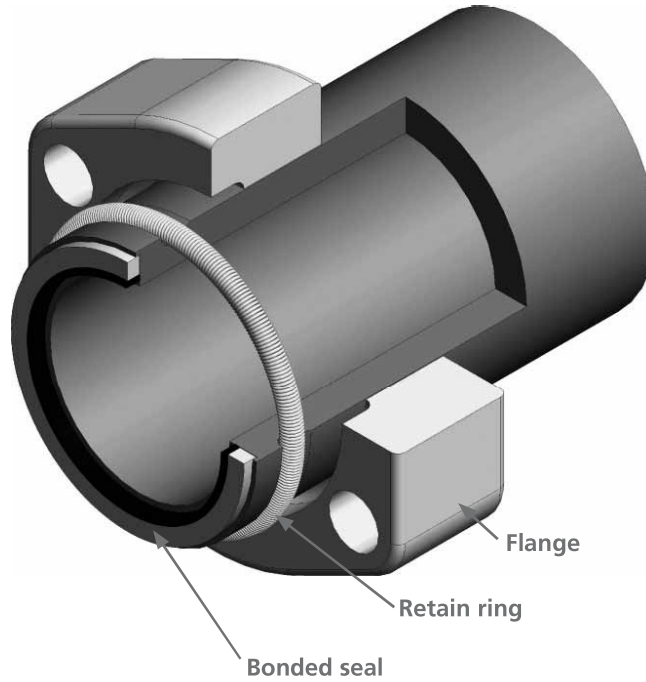
Size	Pipe Size	Complete Part No	Complete ID Code	Weight [kg]	Insert Part No	O-Ring 2 Part No
1/2"	21.3X3.73	308/21.3X3.73FD	1401721600	0.39	08/21.3X3.73FD	OR14X1.0
1/2"	21.3X4.78	308/21.3X4.78FD	1401722600	0.38	08/21.3X4.78FD	OR12X1.0
3/4"	26.7X3.91	312/26.7X3.91FD	1401726600	0.60	12/26.7X3.91FD	OR20X1.0
3/4"	26.7X5.56	312/26.7X5.56FD	1401727600	0.57	12/26.7X5.56FD	OR16X1.0
1"	33.4X3.38	316/33.4X3.38FD	1401731600	0.72	16/33.4X3.38FD	OR25X1.0
1"	33.4X4.55	316/33.4X4.55FD	1401732600	0.70	16/33.4X4.55FD	OR23X1.0
1 1/4"	42.2X3.56	320/42.2X3.56FD	1401740600	1.01	20/42.2X3.56FD	OR34X1.0
1 1/4"	42.2X4.85	320/42.2X4.85FD	1401741600	0.96	20/42.2X4.85FD	OR32X1.0
1 1/2"	48.3X3.68	324/48.3X3.68FD	1401745600	1.57	24/48.3X3.68FD	OR41X1.78
1 1/2"	48.3X5.08	324/48.3X5.08FD	1401746600	1.63	24/48.3X5.08FD	OR37.82X1.78
2"	60.3X3.91	332/60.3X3.91FD	1401747600	2.24	32/60.3X3.91FD	OR50.52X1.78
2"	60.3X5.54	332/60.3X5.54FD	1401748600	2.25	32/60.3X5.54FD	OR47.35X1.78
2 1/2"	73X5.16	340/73X5.16FD	1401749600	3.61	40/73X5.16FD	OR63.22X1.78
2 1/2"	73X7.01	340/73X7FD	1401517928	3.45	40/73X7FD	OR56.87X1.78
3"	88.9X5.49	348/88.9X5.49FD	1401751600	6.14	48/88.9X5.49FD	OR79X1.78
3"	88.9X7.62	348/88.9X7.62FD	1401752600	5.70	48/88.9X7.62FD	OR72.75X1.78

Material possibilities page 168.

 Flanges page 36
 Inserts page 68
 O-rings page 75

Grooving direct on to pipe

ISO 6162-1 (SAE J 518 Code 61)



Metric pipes

Size	Pipe Size	Flange Part No	Flange ID Code	Retain Ring Part No	Retain Ring ID Code	Bonded Seal Part No	Bonded Seal ID Code
1"	39x7.5	316	1102060000	16	1902002050	1629	2701003000
1 1/4"	46x8	320	1102090000	20	1902003050	2030	2701004000
1 1/2"	56x8.5	324	1102120000	24	1902004050	2432	2701005000
2"	66x8.5	332	1102150000	32	1902006050	3219	2701007000
2 1/2"	80x10	340	1102180000	40	1902007050	4037	2701008000
3"	97x12	348	1102210000	48	1902008050	4839	2701009000

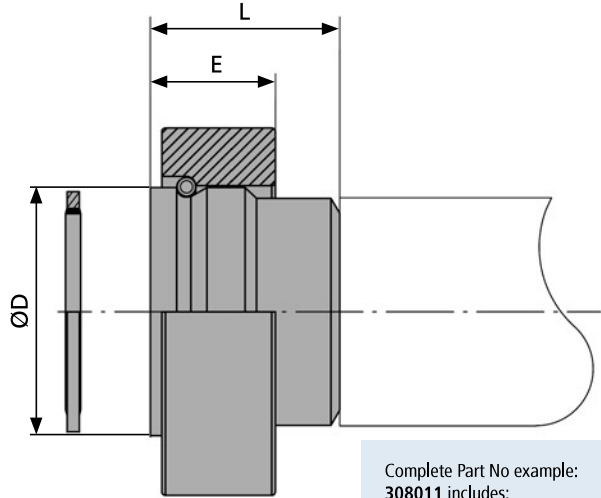
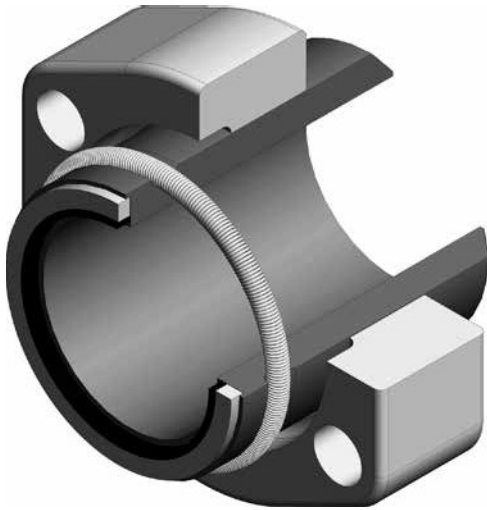
ANSI 36.10/36.19 pipes

Size	Pipe Size	Flange Part No	Flange ID Code	Retain Ring Part No	Retain Ring ID Code	Bonded Seal Part No	Bonded Seal ID Code
1/2"	21.3x7.5	308/21.3	1102000500	08/21.3	1902000250	0821	2701001000
3/4"	26.7x7.8	312/26.7	1102030500	12/26.7	1902001250	0823	2701001400
1"	33.4x9.1	316/33.4	1102060500	16/33.4	1902002250	1633	2701003400
1 1/4"	42.2x9.7	320/42.2	1102090500	20/42.2	1902003250	2042	2701004400
1 1/2"	48.3x10.2	324/48.3	1102120500	24/48.3	1902004250	2448	2701005200
2"	60.3x8.7	332/60.3	1102150700	32/60.3	1902006250	3260	2701007400
2 1/2"	73.0x9.53/14.02	340/73	1102180700	40/73	1902007250	4073	2701008200
3"	88.9x11.13/15.24	348/88.9	1102210800	48/88.9	1902008250	4888	2701009200

Flanges page 35
Retain rings page 72
Bonded seals page 73

Flange for welding (1/2" – 1")

ISO 6162-1 (SAE J 518 Code 61)



Complete Part No example:
308011 includes:
 308 1 pc
 08011 1 pc
 08 1 pc
 0823 1 pc

Size	Complete Part No	Complete ID Code	Pipe Size	L	E	ØD	Weight [kg]	Body Part No	Body ID Code
1/2"	308011	1301503100	26x6.0	45	23	26	0.30	08011	1301003700
1/2"	308001	1301500100	12x1.5	40	23	26	0.26	08001	1301000100
1/2"	308002	1301500400	16x2.0	40	23	26	0.25	08002	1301000700
1/2"	308003	1301500700	18x2.0	40	23	26	0.25	08003	1301001300
1/2"	308004	1301501000	20x2.5	40	23	26	0.26	08004	1301001900
1/2"	308005	1301501300	25x2.5	40	23	26	0.26	08005	1301002500
1/2"	308009	1301502500	21.3x3.73	40	23	26	0.26	08009	1301003100
1/2"	308082	1301503250	21.3x2.10	40	23	26	0.27	08082	1301004800
1/2"	308083	1301503300	21.3x2.77	40	23	26	0.27	08083	1301004900
1/2"	308085	1301503400	21.3x4.78	40	23	26	0.28	08085	1301005500
1/2"	308086	1301503500	21.3x7.47	40	23	26	0.30	08086	1301006100
3/4"	312011	1301507300	36x8.0	45	23	36	0.43	12011	1301008800
3/4"	312001	1301504600	20x2.5	40	23	36	0.37	12001	1301006700
3/4"	312002	1301504900	25x3.0	40	23	36	0.36	12002	1301006800
3/4"	312003	1301505200	30x4.0	40	23	36	0.37	12003	1301007900
3/4"	312004	1301505500	30x6.0	40	23	36	0.39	12004	1301009100
3/4"	312005	1301505700	30x3.0	40	23	36	0.36	12005	1301009200
3/4"	312009	1301506700	26.7x3.91	40	23	36	0.37	12009	1301000700
3/4"	312082	1301507700	26.7x2.10	40	23	36	0.49	12082	1301010800
3/4"	312083	1301507800	26.7x2.87	40	23	36	0.50	12083	1301011300
3/4"	312085	1301508000	26.7x5.56	40	23	36	0.52	12085	1301011900
3/4"	312086	1301508100	26.7x7.82	45	23	36	0.52	12086	1301012500
1"	316011	1301511700	39x7.5	50	22	39	0.53	16011	1301019700
1"	316001	1301508800	25x3.0	40	22	39	0.46	16001	1301016100
1"	316002	1301509100	30x4.0	40	22	39	0.45	16002	1301016700
1"	316003	1301509400	38x5.0	40	22	39	0.47	16003	1301017300
1"	316004	1301509700	38x7.0	40	22	39	0.47	16004	1301017900
1"	316005	1301510000	38x4.0	40	22	39	0.47	16005	1301018500
1"	316009	1301511100	33.4x4.55	40	22	39	0.45	16009	1301019100
1"	316082	1301512000	33.4x2.80	40	22	39	0.44	16082	1301021500
1"	316083	1301512100	33.4x3.38	40	22	39	0.45	16083	1301022100
1"	316085	1301512300	33.4x6.35	50	22	39	0.45	16085	1301022700
1"	316086	1301512400	33.4x9.09	50	22	39	0.52	16086	1301023300

Body material:
 Standard= carbon steel
 Stainless steel= add SS after Part No
 Other materials on request.
 Material possibilities page 168

Welding hubs for other pipe sizes on request.

Flanges page 35
 Retain rings page 72
 Bonded seals page 73

Flange for welding (1 1/4" – 3")

ISO 6162-1 (SAE J 518 Code 61)

Size	Complete Part No	Complete ID Code	Pipe Size	L	E	ØD	Weight [kg]	Body Part No	Body ID Code
1 1/4"	320011	1301516200	46x8.0	55	23	46	0.75	20011	1301028700
1 1/4"	320001	1301513200	30x4.0	40	23	46	0.66	20001	1301025100
1 1/4"	320002	1301513500	38x5.0	40	23	46	0.63	20002	1301025700
1 1/4"	320003	1301513800	42x6.0	40	23	46	0.62	20003	1301026300
1 1/4"	320004	1301514100	46x7.0	50	23	46	0.72	20004	1301026900
1 1/4"	320005	1301514400	42x4.0	40	23	46	0.60	20005	1301027500
1 1/4"	320009	1301515600	42.2x4.85	40	23	46	0.62	20009	1301028100
1 1/4"	320082	1301516500	42.2x2.77	40	23	46	0.66	20082	1301030500
1 1/4"	320083	1301516600	42.2x3.56	40	23	46	0.72	20083	1301031100
1 1/4"	320085	1301516800	42.2x6.35	50	23	46	0.65	20085	1301031700
1 1/4"	320086	1301516900	42.2x9.70	50	23	46	0.80	20086	1301032900
1 1/2"	324011	1301520700	56x8.5	60	28	56	1.18	24011	1301037100
1 1/2"	324001	1301517700	38x5.0	45	28	56	1.08	24001	1301034100
1 1/2"	324002	1301518000	50x6.0	45	28	56	1.01	24002	1301034700
1 1/2"	324003	1301518300	50x9.0	45	28	56	1.10	24003	1301035300
1 1/2"	324005	1301518900	50x5.0	45	28	56	1.00	24005	1301035900
1 1/2"	324009	1301520100	48.3x5.08	45	28	56	0.99	24009	1301036500
1 1/2"	324082	1301521000	48.3x2.77	45	28	56	1.19	24082	1301038300
1 1/2"	324083	1301521100	48.3x3.68	45	28	56	1.09	24083	1301039500
1 1/2"	324085	1301521300	48.3x7.14	60	28	56	1.22	24085	1301040100
1 1/2"	324086	1301521400	48.3x10.15	60	28	56	1.23	24086	1301040700
2"	332011	1301524900	66x8.5	75	33	66	1.78	32011	1301046700
2"	332001	1301521900	50x9.0	50	33	66	1.62	32001	1301041900
2"	332002	1301522200	60x6.0	50	33	66	1.43	32002	1301042500
2"	332003	1301522500	60x8.0	50	33	66	1.53	32003	1301043100
2"	332005	1301523100	60x5.0	50	33	66	1.42	32005	1301044300
2"	332008	1301524000	48.3x5.08	50	33	66	1.54	32008	1301044900
2"	332009	1301524300	60x10.0	50	33	66	1.60	32009	1301045500
2"	332082	1301525500	60.3x2.77	50	33	66	1.40	32082	1301048800
2"	332083	1301525600	60.3x3.91	50	33	66	1.45	32083	1301045600
2"	332084	1301525700	60.3x5.54	50	33	66	1.50	32084	1301046200
2"	332085	1301525800	60.3x8.74	75	33	66	1.65	32085	1301046800
2"	332086	1301525900	60.3x11.07	75	33	66	1.65	32086	1301047400
2 1/2"	340011	1301526018	80x10.0	90	43	80	2.96	40011	1301052200
2 1/2"	340003	1301526010	65x8.0	50	43	80	2.44	40003	1301048600
2 1/2"	340005	1301526012	75x5.0	50	43	80	2.22	40005	1301049700
2 1/2"	340006	1301526013	76.1x6.30	50	43	80	2.24	40006	1301049800
2 1/2"	340007	1301526014	76.1x12.50	50	43	80	2.48	40007	1301050400
2 1/2"	340009	1301526016	73x5	50	43	80	2.30	40009	1301050550
2 1/2"	340010	1301526017	73x7.01	50	43	80	2.25	40010	1301051600
3"	348011	1301526041	97x12.0	110	56	97	4.91	48011	1301057600
3"	348003	1301526033	90x5.0	60	56	97	4.23	48003	1301054000
3"	348004	1301526034	76.1x12.50	60	56	97	3.68	48004	1301054600
3"	348005	1301526035	80x10.0	60	56	97	3.89	48005	1301055200
3"	348006	1301526036	88.9x8.80	60	56	97	3.76	48006	1301055800
3"	348007	1301526037	88.9x12.50	60	56	97	3.89	48007	1301056400
3"	348010	1301526040	88.9x7.62	60	56	97	3.51	48010	1301057000
3"	348082	1301526082	88.9x3.18	60	56	97	3.21	48082	1301057900
3"	348083	1301526083	88.9x5.49	60	56	97	3.43	48083	1301058000
3"	348084	1301526084	88.9x7.62	110	56	97	4.02	48084	1301058100
3"	348085	1301526085	88.9x11.13	110	56	97	4.30	48085	1301058200
3"	348086	1301526086	88.9x15.24	110	56	97	4.35	48086	1301058800

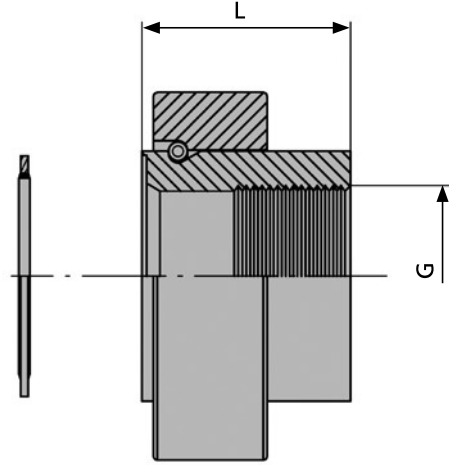
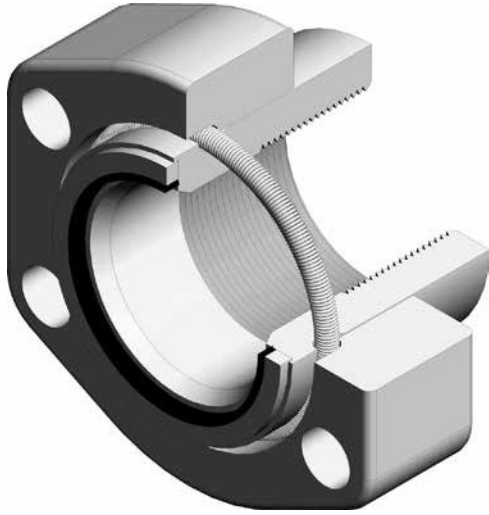
Body material:
 Standard= carbon steel
 Stainless steel= add SS after Part No
 Other materials on request.
 Material possibilities page 168

Welding hubs for other pipe sizes on request.

Flanges page 35
 Retain rings page 72
 Bonded seals page 73

Female thread flange, BSP

ISO 6162-1 (SAE J 518 Code 61)



SAE 3000 PSI

Complete Part No example:

308013 includes:

308	1 pc
08013	1 pc
08	1 pc
0823	1 pc

Size	Complete Part No	Complete ID Code	L	G	Weight [kg]	Body Part No	Body ID Code
1/2"	308013	1307499000	35	1/4"	0.29	08013	1307000100
3/4"	312013	1307500000	40	1/2"	0.43	12013	1307001000
1"	316013	1307501000	40	3/4"	0.48	16013	1307006000
1 1/4"	320013	1307502000	42	1"	0.67	20013	1307007000
1 1/2"	324013	1307503000	45	1 1/4"	1.05	24013	1307008000
2"	332013	1307504000	55	1 1/2"	1.67	32013	1307009000
2 1/2"	340013	1307504020	80	2"	2.40	40013	1307010000
3"	348013	1307504030	85	2 1/2"	3.30	48013	1307011000

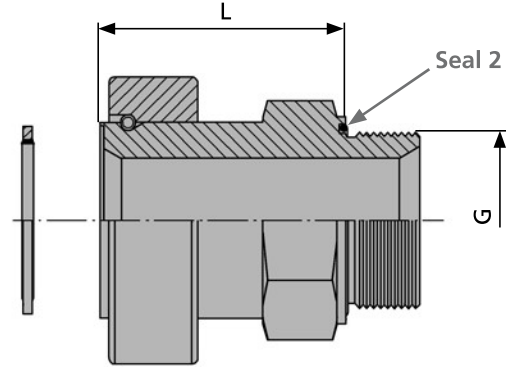
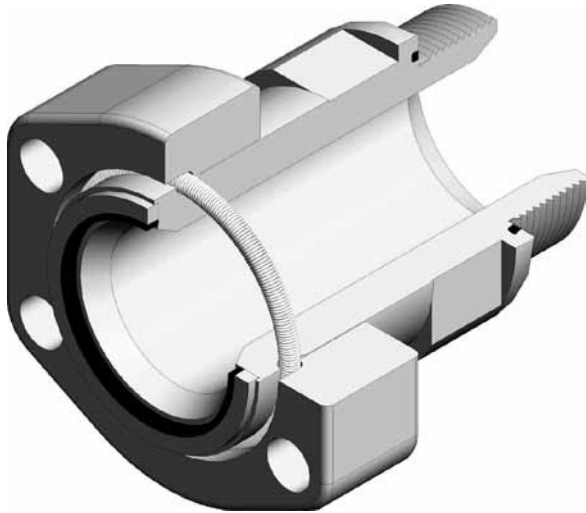
Body material:
 Standard= carbon steel, zinc plated
 Stainless steel= add SS after Part No
 Other materials on request.

Standard thread BSPP,
 others on request.

Flanges page 35
 Retain rings page 72
 Bonded seals page 73

Male thread flange, BSPP

ISO 6162-1 (SAE J 518 Code 61)



Complete Part No example:

308014 includes:
 308 1 pc
 08014 (Seal 2 included) 1 pc
 08 1 pc
 0823 1 pc

Size	Complete Part No	Complete ID Code	L	G	Seal 2	A/F	Weight [kg]	Body Part No	Body ID Code
1/2"	308014	1305507000	50	1/2"	ED R1/2 VI	27	0.35	08014	1305000100
1/2"	308014-G1/4	1305507500	50	1/4"	ED R1/4+M14X1.5 VI	27	0.37	08014-G1/4	1305000400
3/4"	312014	1305508000	61	3/4"	ED R3/4 M26X1.5 27X2 VI	36	0.60	12014	1305002000
3/4"	312014-G1/2	1305508200	61	1/2"	ED R1/2 VI	36	0.62	12014-G1/2	1305002200
1"	316014	1305510000	65	1"	ED R1+M33X2 VI	41	0.78	16014	1305004000
1"	316014-G3/4	1305510400	65	3/4"	ED R3/4 M26X1.5 27X2 VI	41	0.80	16014-G3/4	1305004300
1 1/4"	320014	1305512000	68	1 1/4"	ED R11/4+M42X2 VI	50	1.08	20014	1305006000
1 1/4"	320014-G1	1305512200	68	1"	ED R1+M33X2 VI	50	1.16	20014-G1	1305006200
1 1/2"	324014	1305514000	78	1 1/2"	ED R11/2+M82X2 VI	60	1.71	24014	1305010000
1 1/2"	324014-G11/4	1305514200	78	1 1/4"	ED R11/4+M42X2 VI	60	1.80	24014-G11/4	1305010300
2"	332014	1305516000	83	2"	OR59.99X2.62VI	70	2.55	32014	1305014000
2"	332014-G11/2	1305516200	83	1 1/2"	ED R11/2+M82X2 VI	70	2.71	32014-G11/2	1305014200

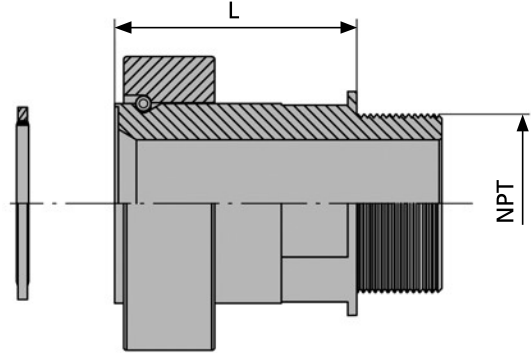
Body material:
 Standard= carbon steel, zinc plated
 Stainless steel= add SS after Part No
 Other materials on request.

Seal 2 material: FPM (Viton®)

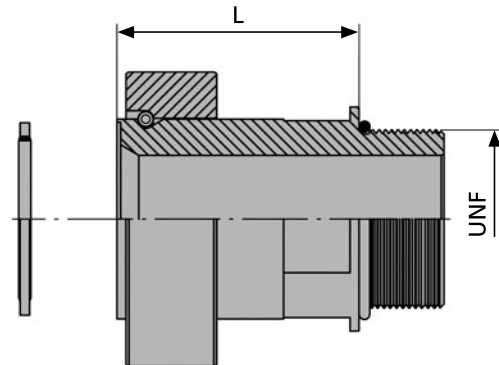
Flanges page 35
 Retain rings page 72
 Bonded seals page 73
 ED-seals page 76

Male thread flange, NPT & UNF

ISO 6162-1 (SAE J 518 Code 61)



NPT



UNF

Complete Part No example:
308114 includes:
 308 1 pc
 08114 1 pc
 08 1 pc
 0823 1 pc

Complete Part No example:
308214 includes:
 308 1 pc
 08214 1 pc
 08 1 pc
 0823 1 pc
 OR16,4X2.2 1 pc

Male thread flange, NPT

Size	Complete Part No	Complete ID Code	L	NPT	Weight [kg]	Body Part No	Body ID Code
1/2"	308114	1305507700	50	1/2"	0.4	08114	1305001000
3/4"	312114	1305509000	63	3/4"	0.5	12114	1305002400
1"	316114	1305510600	63	1"	0.7	16114	1305004600
1 1/4"	320114	1305512400	67	1 1/4"	1.0	20114	1305008000
1 1/2"	324114	1305514400	75	1 1/2"	1.8	24114	1305012000
2"	332114	1305516400	80	2"	2.5	32114	1305014800

Male thread flange, UNF

Size	Complete Part No	Complete ID Code	L	UN(F)	Weight [kg]	O-ring Part No	O-ring ID Code	Body Part No	Body ID Code
1/2"	308214	1305507800	48.0	3/4-16	0.4	OR16,4X2,2	2701504500	08214	1305001300
3/4"	312214	1305509200	61.3	1 1/16-12	0.5	OR23X3,0	2701511200	12214	1305002900
1"	316214	1305510800	62.0	1 5/16-12	0.7	OR29,2X3,0	2701516500	16214	1305005500
1 1/4"	320214	1305512600	65.0	1 5/8-12	1.0	OR37,2X3,0	2701524000	20214	1305009000
1 1/2"	324214	1305514600	78.2	1 7/8-12	1.8	OR43X3,0	2701527000	24214	1305012200
2"	332214	1305516600	83.2	2 1/2-12	2.5	OR59,5X3,0	2701536000	32214	1305015500

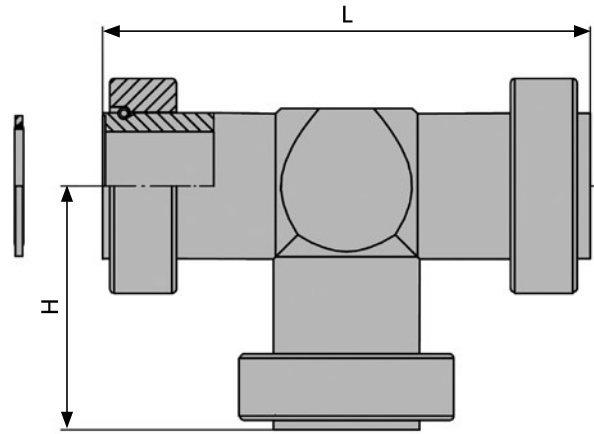
Body material:
 Standard= carbon steel, zinc plated
 Stainless steel= add SS after Part No
 Other materials on request.

Flanges page 35
 Retain rings page 72
 Bonded seals page 73

SAE 3000 PSI

Tee flange

ISO 6162-1 (SAE J 518 Code 61)



Complete Part No example:

308016 includes:

308	3 pcs
08016	1 pc
08	3 pcs
0823	3 pcs

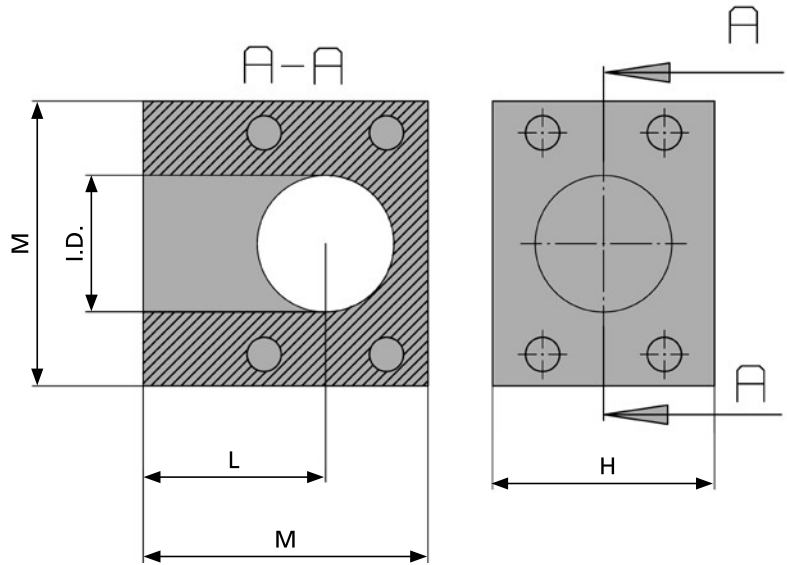
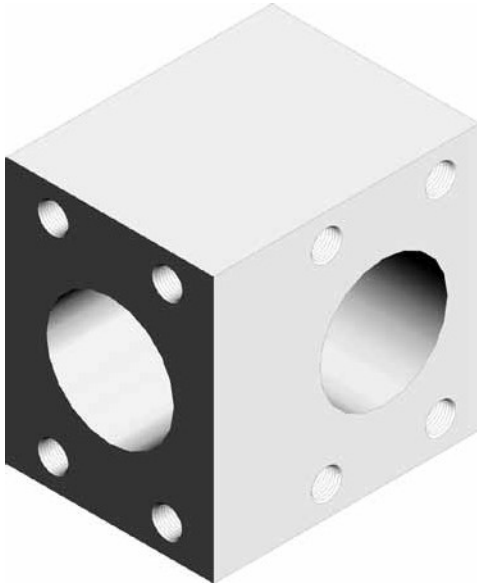
Size	Complete Part No	Complete ID Code	L	H	Weight [kg]	Body Part No	Body ID Code
1/2"	308016	1701200100	120	60	1.10	08016	1701000100
3/4"	312016	1701202000	130	65	1.68	12016	1701002000
3/4" – 1/2"	312/308/312016	1701202200	130	65	1.68	12/08/12016	1701002200
1"	316016	1701204000	140	70	2.13	16016	1701004000
1" – 3/4"	316/312/316016	1701204400	140	65	2.00	16/12/16016	1701004400
1" – 1/2"	316/308/316016	1701204200	140	65	1.66	16/08/16016	1701004200
1 1/4"	320016	1701206000	160	80	2.87	20016	1701006000
1 1/4" – 1"	320/316/320016	1701206600	160	75	2.83	20/16/20016	1701006600
1 1/4" – 3/4"	320/312/320016	1701206400	160	70	2.44	20/12/20016	1701006400
1 1/2"	324016	1701208000	180	90	4.75	24016	1701008000
1 1/2" – 1 1/4"	324/320/324016	1701208600	180	85	3.86	24/20/24016	1701008600
1 1/2" – 1"	324/316/324016	1701208400	180	80	3.60	24/16/24016	1701008400
2"	332016	1701210000	220	110	7.05	32016	1701010000
2" – 1 1/2"	332/324/332016	1701210600	220	95	6.63	32/24/32016	1701010800
2" – 1 1/4"	332/320/332016	1701210400	220	90	5.31	32/20/32016	1701010600
2 1/2"	340016	1701211900	260	130	10.8	40016	1701012000
3"	348016	1701212500	320	160	18.8	48016	1701014000

Body material:
 Standard= carbon steel, zinc plated
 Stainless steel= add SS after Part No
 Sizes 2 1/2" and 3" are not available in stainless steel.
 Other materials on request.

Flanges page 35
 Retain rings page 72
 Bonded seals page 73

Tee block

ISO 6162-1 (SAE J 518 Code 61)

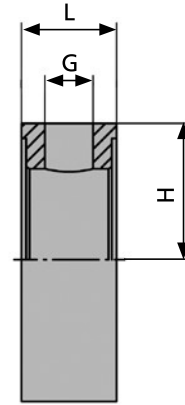


Size	Part No	ID Code	H	L	M	I.D.	Weight [kg]
1/2"	308116	1702000100	40	36	56	13	0.81
3/4"	312116	1702002000	40	50	70	20	1.18
3/4"–1/2"	312/308/312116	1702002400	40	50	70	20/13/20	1.26
1"	316116	1702004000	48	47	70	23	1.38
1"–3/4"	316/312/316116	1702004400	48	47	70	23/20/23	1.41
1"–1/2"	316/308/316116	1702004200	48	47	70	23/13/23	1.49
1 1/4"	320116	1702006000	58	55	80	30	2.12
1 1/4"–1"	320/316/320116	1702006600	58	55	80	30/23/30	2.23
1 1/4"–3/4"	320/312/320116	1702006400	58	55	80	30/20/30	2.27
1 1/2"	324116	1702008000	68	59	90	38	2.96
1 1/2"–1 1/4"	324/320/324116	1702008800	68	59	90	38/30/38	3.16
1 1/2"–1"	324/316/324116	1702008600	68	59	90	38/23/38	3.22
2"	332116	1702010000	78	64	100	48	4.05
2"–1 1/2"	332/324/332116	1702010600	78	64	100	48/38/48	4.26
2"–1 1/4"	332/320/332116	1702010400	78	64	100	48/30/48	4.45
2 1/2"	340116	1702012000	88	65	110	60	5.05
2 1/2"–2"	340/332/340116	1702012400	88	65	110	60/48/60	5.49
2 1/2"–1 1/2"	340/324/340116	1702012200	88	65	110	60/38/60	5.60
3"	348116	1702014000	110	80	135	73	9.97
3"–2 1/2"	348/340/348116	1702014400	110	80	135	73/60/73	10.6
3"–2"	348/332/348116	1702014200	110	80	135	73/48/73	11.1

Component material:
 Standard= carbon steel, zinc plated
 Stainless steel= add SS after Part No
 Other materials on request.

Tee between, BSPP

ISO 6162-1 (SAE J 518 Code 61)



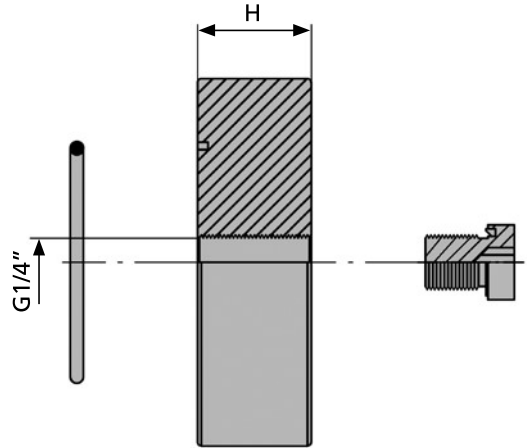
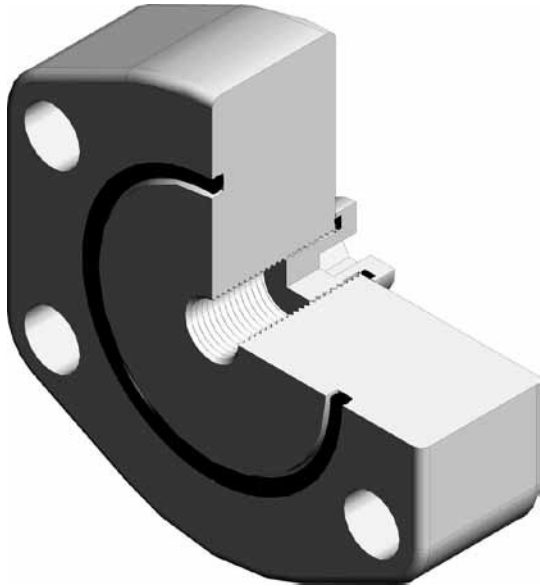
Please add measure L to bolt lengths mentioned on page 34.

Size	Part No	ID Code	L	H	G	Weight [kg]
1/2"	08035	1801000000	25	13.5	1/4"	0.12
3/4"	12035	1801000100	25	17.6	1/4"	0.18
1"	16035	1801002000	25	20.5	1/4"	0.22
1 1/4"	20035	1801003000	25	24.3	1/4"	0.27
1 1/2"	24035	1801004000	25	31.3	1/4"	0.41
2"	32035	1801005000	25	36.0	1/4"	0.47
1 1/4"	20036	1801003100	35	22.5	1/2"	0.35
1 1/2"	24036	1801004300	35	29.6	1/2"	0.56
2"	32036	1801005100	35	34.6	1/2"	0.65
2 1/2"	40036	1801006000	35	42.6	1/2"	0.90
2 1/2"	40037	1801006100	40	41	3/4"	1.30
3"	48038	1801006900	60	48	1"	1.90

Component material:
 Standard= carbon steel, zinc plated
 Stainless steel= add SS after Part No
 Other materials on request.

Blind flange

ISO 6162-1 (SAE J 518 Code 61)



SAE 3000 PSI

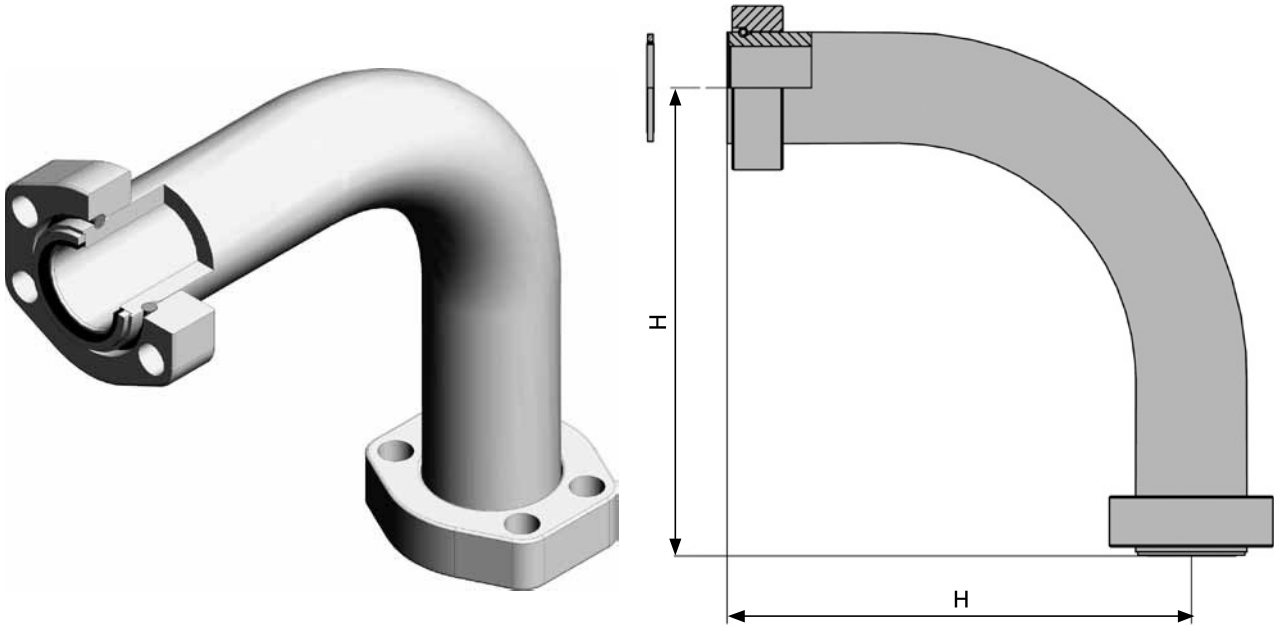
Size	Part No	ID Code	O-ring Part No	O-ring ID Code	H	Weight [kg]
1/2"	308125	1910504000	OR18.64X3.53	2701506000	20	0.24
3/4"	312125	1910504500	OR24.99X3.53	2701512000	20	0.36
1"	316125	1910505000	OR32.92X3.53	2701519400	20	0.45
1 1/4"	320125	1910505500	OR37.69X3.53	2701524200	20	0.62
1 1/2"	324125	1910506000	OR47.22X3.53	2701529000	25	1.10
2"	332125	1910506500	OR56.75X3.53	2701535000	30	1.73
2 1/2"	340125	1910507000	OR69.44X3.53	2701540000	40	2.61
3"	348125	1910507500	OR85.32X3.53	2701546000	50	4.19

Component material:
 Standard= carbon steel, zinc plated
 Stainless steel= add SS after Part No
 Other materials on request.
 O-ring, ED-seal and plug included in a Part No

Manufacturing tolerance for flange thickness (H) $\pm 5\%$.

Flange bend

ISO 6162-1 (SAE J 518 Code 61)



Complete Part No example:

312018 includes:
 312 2 pcs
 12018 1 pc
 12 2 pcs
 1213 2 pcs

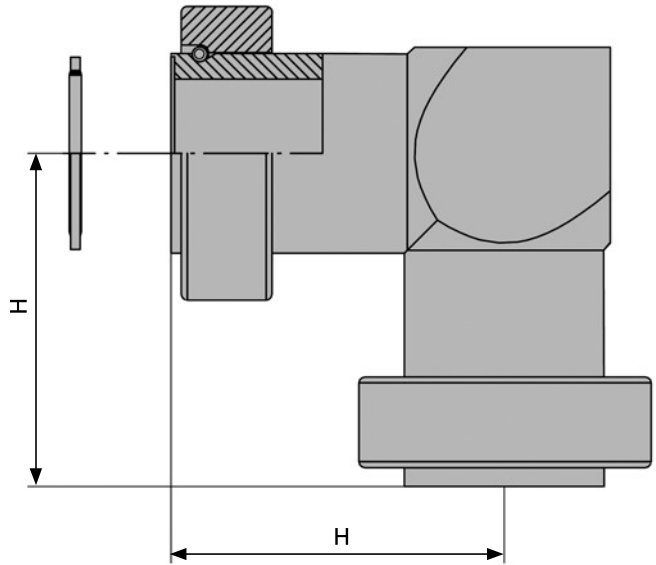
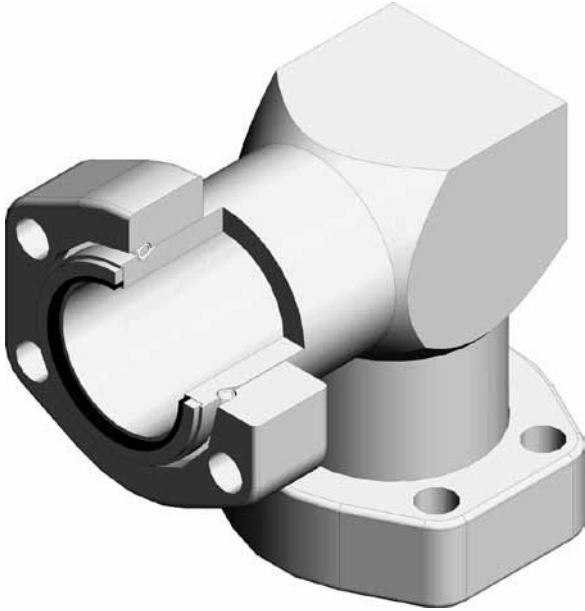
Size	Complete Part No	Complete ID Code	H	Bending Radius	Weight [kg]	Body Part No	Body ID Code
3/4"	312018	1602200100	180	90	1.43	12018	1602000100
1"	316018	1602200500	180	97.5	1.64	16018	1602000500
1 1/4"	320018	1602201000	190	96	2.42	20018	1602001000
1 1/2"	324018	1602201500	240	116	3.63	24018	1602001500
2"	332018	1602202000	275	165	5.45	32018	1602002000
2 1/2"	340018	1602202200	450	200	8.21	40018	1602002500
3"	348018	1602202400	540	244	14.6	48018	1602003000

Body material:
 Standard= carbon steel, zinc plated
 Stainless steel= add SS after Part No
 Sizes 2 1/2" and 3" are not available in stainless steel.
 Other materials on request.

Flanges page 35
 Retain rings page 72
 Bonded seals page 73

Elbow flange

ISO 6162-1 (SAE J 518 Code 61)



SAE 3000 PSI

Complete Part No example:

308015 includes:
 308 2 pcs
 08015 1 pc
 08 2 pcs
 0823 2 pcs

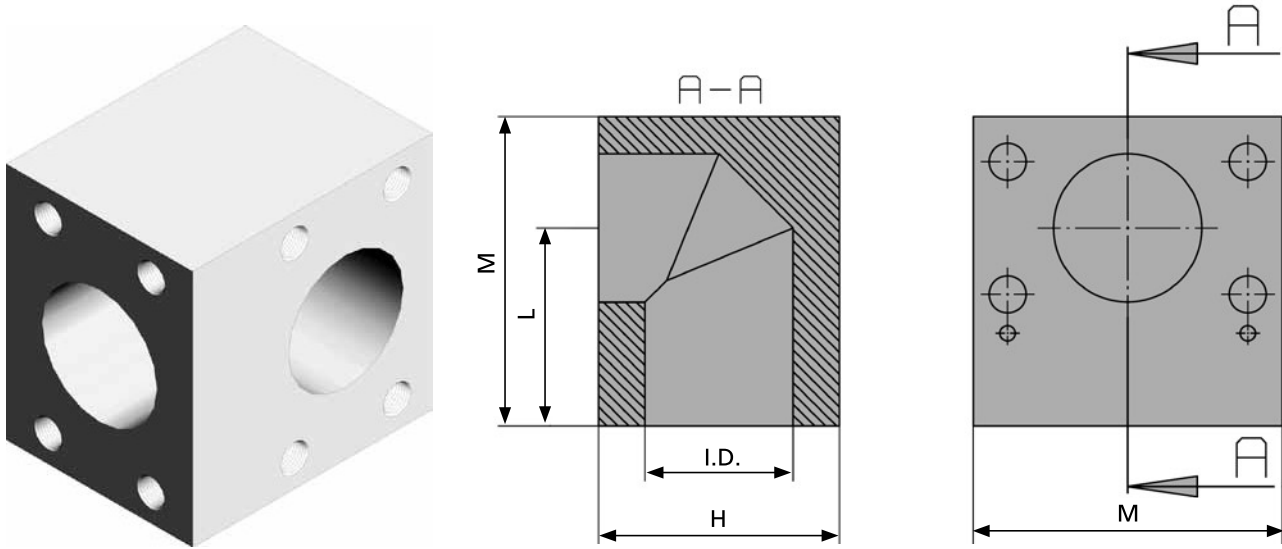
Size	Complete Part No	Complete ID Code	H	Weight [kg]	Body Part No	Body ID Code
1/2"	308015	1601200100	60	0.81	08015	1601000100
3/4"	312015	1601200500	65	1.43	12015	1601000500
1"	316015	1601201000	70	1.64	16015	1601001000
1 1/4"	320015	1601201500	80	2.42	20015	1601001500
1 1/2"	324015	1601202000	90	3.63	24015	1601002000
2"	332015	1601202500	110	5.45	32015	1601002500
2 1/2"	340015	1601202700	130	8.21	40015	1601003000
3"	348015	1601202800	160	14.6	48015	1601003500

Body material:
 Standard= carbon steel, zinc plated
 Stainless steel= add SS after Part No
 Sizes 2 1/2" and 3" are not available in stainless steel.
 Other materials on request.

Flanges page 35
 Retain rings page 72
 Bonded seals page 73

Elbow block

ISO 6162-1 (SAE J 518 Code 61)

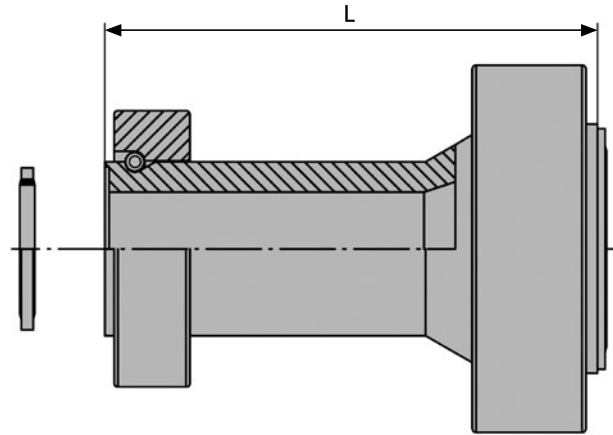
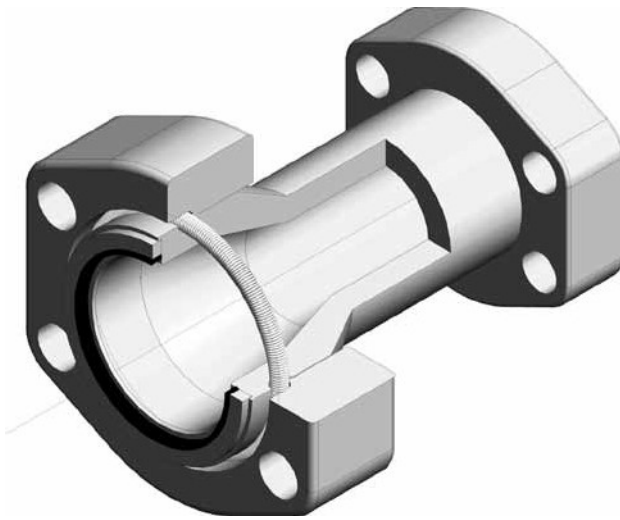


Size	Part No	ID Code	H	L	M	I.D.	Weight [kg]
1/2"	308115	1603000100	40	36	56	13	0.83
3/4"	312115	1603000500	40	50	70	20	1.22
1"	316115	1603001000	48	47	70	23	1.46
1 1/4"	320115	1603001500	58	55	80	30	2.24
1 1/2"	324115	1603002000	68	59	90	38	3.16
2"	332115	1603002500	78	64	100	48	4.31
2 1/2"	340115	1603003000	88	65	110	60	5.45
3"	348115	1603003500	110	80	135	73	11.1

Component material:
 Standard= carbon steel, zinc plated
 Stainless steel= add SS after Part No
 Other materials on request.

Reducer flange

ISO 6162-1 (SAE J 518 Code 61)



Complete Part No example:

RF312-308 includes:

312	1 pc
308	1 pc
12-08	1 pc
12	1 pc
1213	1 pc
08	1 pc
0823	1 pc

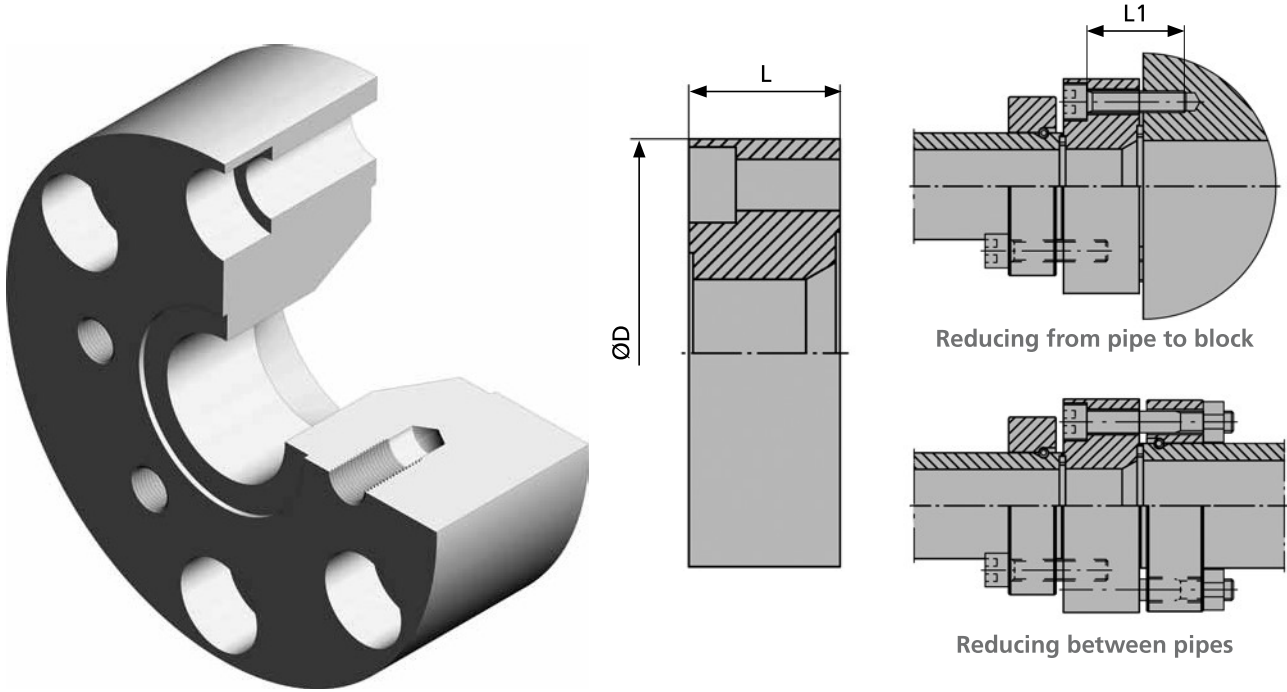
Size	Complete Part No	Complete ID Code	L	Weight [kg]	Body Part No	Body ID Code
3/4" – 1/2"	RF312-308	1501207300	65	0.75	12-08	1501000050
1" – 3/4"	RF316-312	1501208000	110	1.10	16-12	1501000100
1" – 1/2"	RF316-308	1501207800	80	1.10	16-08	1501000090
1 1/4" – 1"	RF320-316	1501209500	110	1.38	20-16	1501001500
1 1/4" – 3/4"	RF320-312	1501209000	110	1.28	20-12	1501001000
1 1/2" – 1 1/4"	RF324-320	1501210500	130	2.10	24-20	1501002500
1 1/2" – 1"	RF324-316	1501210000	110	1.76	24-16	1501002000
2" – 1 1/2"	RF332-324	1501211500	130	3.01	32-24	1501003500
2" – 1 1/4"	RF332-320	1501211000	130	2.52	32-20	1501003000
2 1/2" – 2"	RF340-332	1501211700	150	4.62	40-32	1501004500
2 1/2" – 1 1/2"	RF340-324	1501211600	150	4.08	40-24	1501004000
3" – 2 1/2"	RF348-340	1501211900	180	7.63	48-40	1501005500
3" – 2"	RF348-332	1501211800	180	6.62	48-32	1501005000

Body material:
 Standard= carbon steel, zinc plated
 Stainless steel= add SS after Part No
 Other materials on request.

Flanges page 35
 Retain rings page 72
 Bonded seals page 73

Reducer block

ISO 6162-1 (SAE J 518 Code 61)



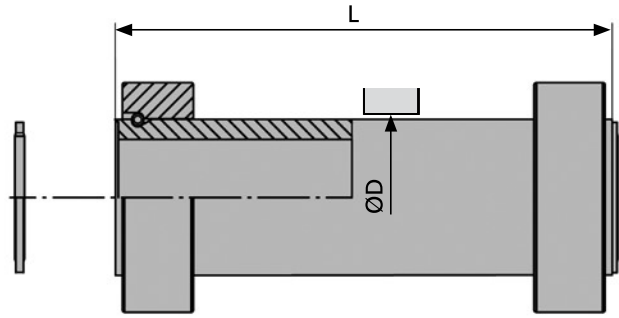
Size	Part No	ID Code	D	L	L1 Bolt size DIN 912, 8.8	Weight [kg]
3/4" – 1/2"	RBE312-308	1502108000	80	25	M10x25	0.70
1" – 3/4"	RBE316-312	1502109200	84	30	M10x30	0.90
1" – 1/2"	RBE316-308	1502109000	84	30	M10x30	0.96
1 1/4" – 1"	RBE320-316	1502110400	88	35	M10x35	1.40
1 1/4" – 3/4"	RBE320-312	1502110200	88	35	M10x35	1.40
1 1/4" – 1/2"	RBE320-308	1502110000	88	35	M10x35	1.46
1 1/2" – 1 1/4"	RBE324-320	1502111400	103	40	M12x45	2.17
1 1/2" – 1"	RBE324-316	1502111200	103	40	M12x45	2.22
1 1/2" – 3/4"	RBE324-312	1502111000	103	40	M12x45	2.23
2" – 1 1/2"	RBE332-324	1502112400	113	40	M12x45	2.50
2" – 1 1/4"	RBE332-320	1502112200	113	40	M12x45	2.63
2" – 1"	RBE332-316	1502112000	113	40	M12x45	2.35
2 1/2" – 2"	RBE340-332	1502113400	128	40	M12x45	3.15
2 1/2" – 1 1/2"	RBE340-324	1502113200	128	40	M12x45	3.28
2 1/2" – 1 1/4"	RBE340-320	1502113000	128	40	M12x45	3.35
3" – 2 1/2"	RBE348-340	1502114400	158	40	M16x45	4.86
3" – 2"	RBE348-332	1502114200	158	40	M16x45	5.04
3" – 1 1/2"	RBE348-324	1502114000	158	40	M16x45	5.11

Component material:
 Standard= carbon steel, zinc plated
 Stainless steel= add SS after Part No
 Other materials on request.

L1= reducer block to block

Bulkhead flange

ISO 6162-1 (SAE J 518 Code 61)



SAE 3000 PSI

Complete Part No example:

308019 includes:
 308 2 pcs
 08019 1 pc
 08 2 pcs
 0823 2 pcs

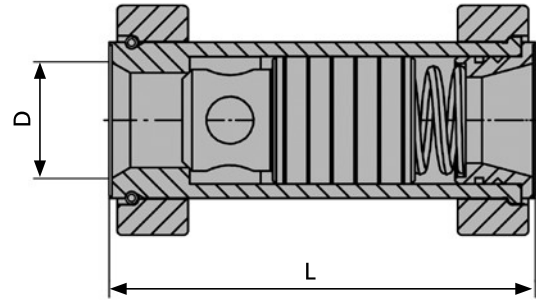
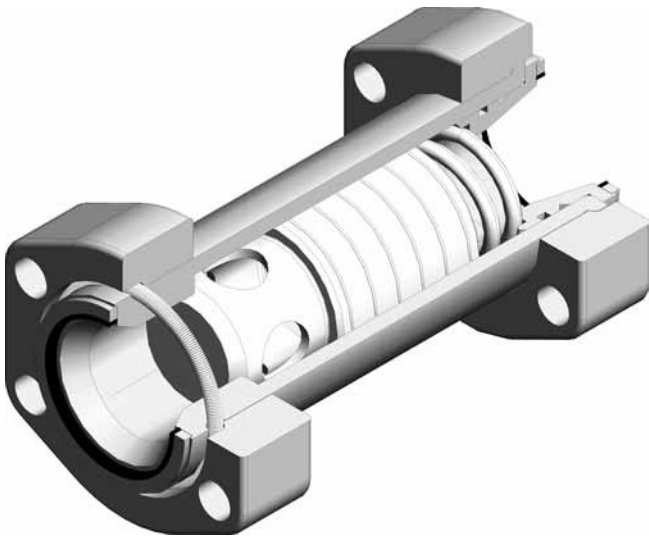
Size	Complete Part No	Complete ID Code	L	Required bulkhead opening ØD	Weight [kg]	Body Part No	Body ID Code
1/2"	308019	1904054300	170	27	1.20	08019	1904000000
3/4"	312019	1904054500	170	37	1.37	12019	1904000100
1"	316019	1904055000	170	40	1.51	16019	1904000500
1 1/4"	320019	1904055500	180	47	2.10	20019	1904001000
1 1/2"	324019	1904056000	180	57	3.04	24019	1904001500
2"	332019	1904056500	210	68	4.37	32019	1904002000
2 1/2"	340019	1904056700	220	82	6.77	40019	1904002500
3"	348019	1904056800	240	99	10.6	48019	1904003000

Body material:
 Standard= carbon steel
 Stainless steel= add SS after Part No
 Other materials on request.

Flanges page 35
 Retain rings page 72
 Bonded seals page 73

Non return valve

ISO 6162-1 (SAE J 518 Code 61)



Complete Part No example:

312135 includes:
 312 2 pcs
 12135 1 pc
 12 1 pcs
 1213 2 pcs

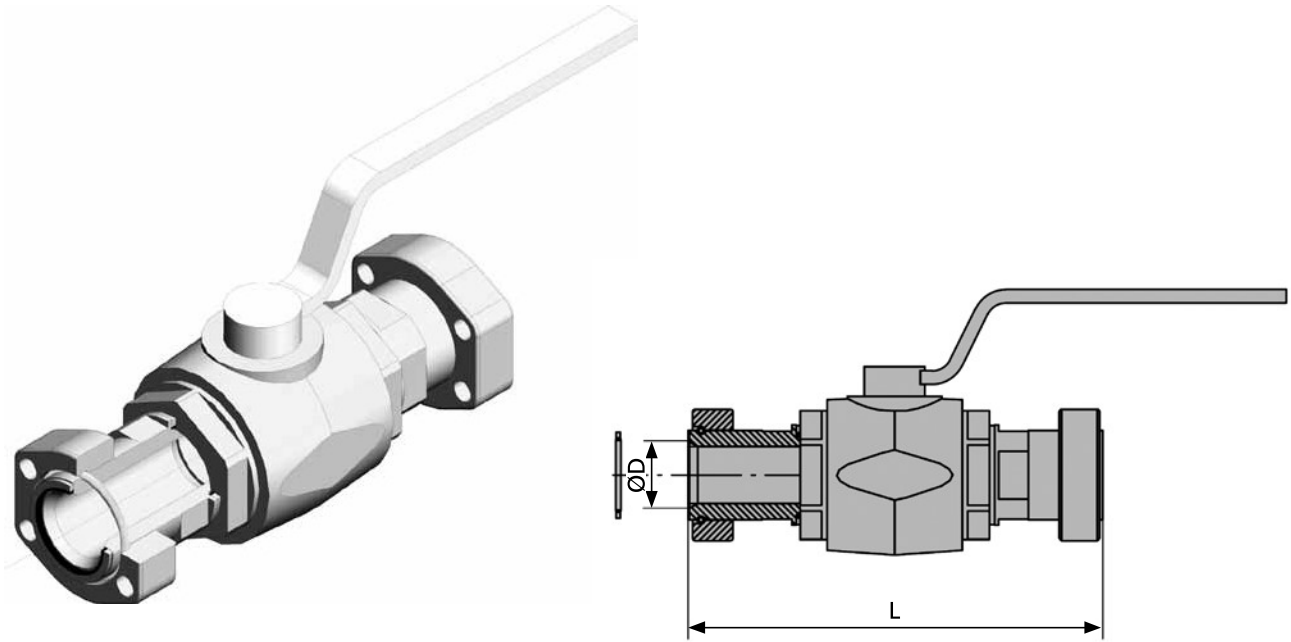
Size	Complete Part No	ID Code	W.P. [bar]	L	D	Weight [kg]
3/4"	312135	1912010000	350	100	21	1.3
1"	316135	1912011000	350	120	24	1.3
1 1/4"	320135	1912012000	280	140	31	2.0
1 1/2"	324135	1912013000	280	155	38	3.5
2"	332135	1912014000	280	180	49	4.4
2 1/2"	340135	1912014200	210	190	61	6.6
3"	348135	1912014400	210	200	73	9.6

Body material:
 Standard= carbon steel
 Stainless steel= add SS after Part No
 Standard opening pressure= 0.5 bar. On request 1 bar to 3 bar.

Flanges page 35
 Retain rings page 72
 Bonded seals page 73

Ball valve

ISO 6162-1 (SAE J 518 Code 61)



SAE 3000 PSI

Complete Part No example:

308129 includes:

308	2 pcs
08014	2 pc
08	2 pcs
0823	2 pcs
xxx	2 pc
BKH 1/2" R	1 pc

Ball valve with GS-flange connection SAE 3000 psi

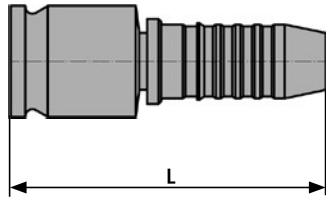
Size	Complete Part No	ID Code	W.P. [bar]	Ball valve Part No	L	D	Weight [kg]
1/2"	308129	2603010000	350	BKH 1/2 R	184	14	1.5
3/4"	312129	2603010400	350	BKH 3/4 R	218	21	2.6
1"	316129	2603010800	350	BKH 1 R	243	24	3.7
1 1/4"	320129	2603011200	280	MKHP 1 1/4 R	247	31	5.5
1 1/2"	324129	2603011600	280	MKHP 1 1/2 R	286	38	9.0
2"	332129	2603012000	280	MKHP 2 R	306	49	12.9

Body material:
Standard= carbon steel
Stainless steel= add SS after Part No

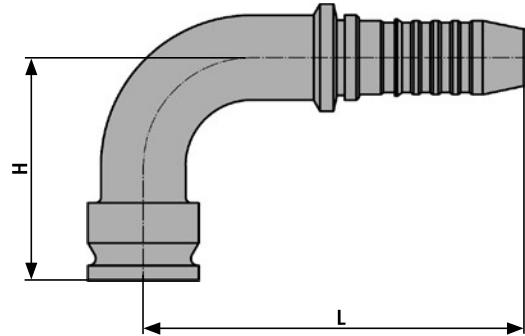
Flanges page 35
Retain rings page 72
Bonded seals page 73

GS-retain ring hose couplings

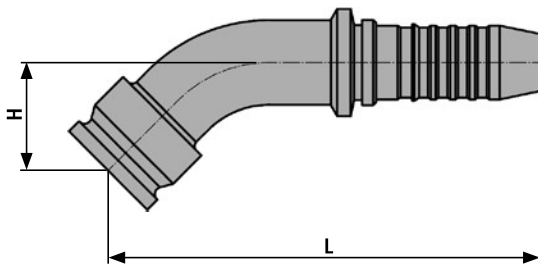
ISO 6162-1 (SAE J 518 Code 61)



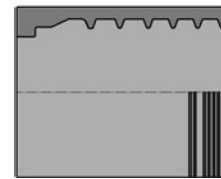
Straight



90°



45°



Ferrule

GS-hose coupling, straight

Size	Part No	ID Code	L
3/4"	12020G	5301001100	100
1"	16020G	5301001420	111
1 1/4"	20020G	5301001820	128
1 1/2"	24020G	5301002220	134
2"	32020G	5301002620	200

GS-hose coupling, 90°

Size	Part No	ID Code	L	H
3/4"	12021G	5301042020	115	69
1"	16021G	5301042420	134	78
1 1/4"	20021G	5301042820	137	88
1 1/2"	24021G	5301043620	177	102
2"	32021G	5301044020	254	126

GS-hose coupling, 45°

Size	Part No	ID Code	L	H
3/4"	12022G	5301040020	132	36
1"	16022G	5301040500	152	38
1 1/4"	20022G	5301040900	186	44
1 1/2"	24022G	5301041220	200	52
2"	32022G	5301041620	274	60

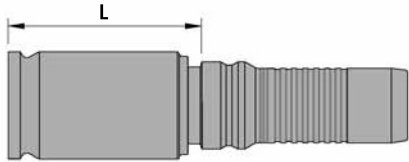
Ferrule

Size	Part No	ID Code	D (after crimping)
3/4"	G599-12	5202001230	37.4–37.8
1"	G599-16	5202001240	44.3–44.7
1 1/4"	G596-20	5202001100	56.2–56.6
1 1/2"	G599-24	5202001260	63.3–63.7
2"	integrated in hose couplings		76.6–78.1

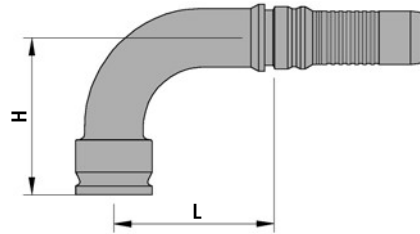
Component material:
Carbon steel, zinc plated

GS-retain ring hose couplings, I-Series

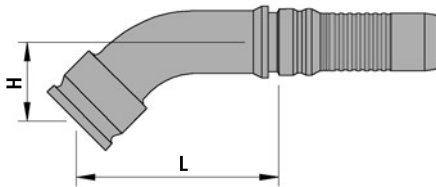
ISO 6162-1 (SAE J 518 Code 61)



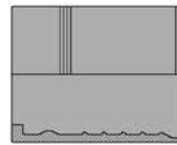
Straight



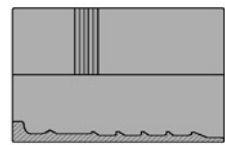
90°



45°



Type 594-



Type 596-

Ferrules

SAE 3000 PSI

GS-hose coupling, straight

Size	Part No	ID Code	L
3/4"	12020-IT	5301001105	44.2
1"	16020-IT	5301001425	48.3
1 1/4"	20020-IT	5301001825	82.3
1 1/2"	24020-IT	5301002225	83.4
2"	32020-IT	5301002625	96.9

GS-hose coupling, 90°

Size	Part No	ID Code	L	H
3/4"	12021-IT	5301042025	59.2	64
1"	16021-IT	5301042425	76.3	75
1 1/4"	20021-IT	5301042825	95.1	93
1 1/2"	24021-IT	5301043625	111.8	110
2"	32021-IT	5301044025	149.5	140

GS-hose coupling, 45°

Size	Part No	ID Code	L	H
3/4"	12022-IT	5301040025	72.2	32.0
1"	16022-IT	5301040505	88.3	36.1
1 1/4"	20022-IT	5301040905	112.1	43.8
1 1/2"	24022-IT	5301041225	128.8	51.7
2"	32022-IT	5301041625	166.4	65.9

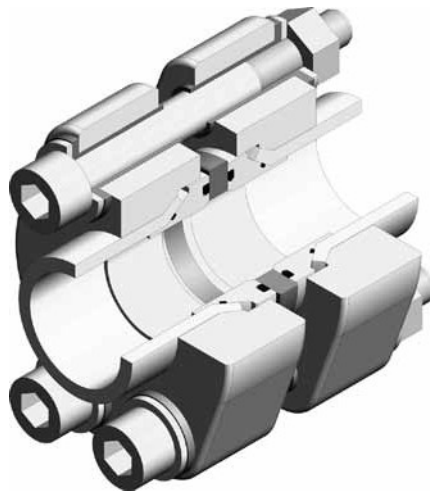
Ferrules

Size	Gates hoses				Intertraco hoses					
	G5K/EF5K		G6K/EF6K		GS4SH		GSR13		GSR15	
	Part No	ID Code	Part No	ID Code	Part No	ID Code	Part No	ID Code	Part No	ID Code
3/4"	594-12	5204006000	594-12	5204006000	594-12	5204006000	594-12	5204006000	594-12	5204006000
1"	594-16	5204006010	594-16	5204006010	594-16	5204006010	594-16	5204006010	594-16	5204006010
1 1/4"	596-20	5204006220	596-20	5204006220	594-20	5204006020	596-20	5204006220	596-20	5204006220
1 1/2"	596-24	5204006230	596-24	5204006230	594-24	5204006030	596-24	5204006230	596-24	5204006230
2"	596-32	5204006240	596-32	5204006240	594-32	5204006040	596-32	5204006240	596-32	5204006240

Component material:
Carbon steel, zinc plated
Straight couplings and ferrules available in stainless steel on request

Non-conductive flange connection

ISO 6162-1 (SAE J 518 Code 61)



Complete Part No example:
308/16X2FA-NC includes:

308F	2 pcs
08/16X2FA	2 pc
08/16F	2 pc
OR18.64X3.53	2 pc
OR12X1.0	2 pc
08099B/B-NC	1 pc
M6DIN125	8 pcs
M08-PF-308	8 pcs
M6X70DIN912-12.9	4 pcs
M6DIN934-10	4 pcs

Size	Pipe size	Complete Part No	ID Code	Bolt Torque [Nm]	Weight [kg]
1/2"	16 x 2.0	308/16X2FA-NC	1401801000	15	0.46
1/2"	18 x 2.0	308/18X2FA-NC	1401802000	15	0.44
1/2"	20 x 2.0	308/20X2FA-NC	1401803000	15	0.46
1/2"	25 x 2.5	308/25X2.5FA-NC	1401804000	15	0.46
1/2"	25 x 3.0	308/25X3FA-NC	1401805000	15	0.46
3/4"	20 x 2.0	312/20X2FA-NC	1401806000	22	0.76
3/4"	20 x 2.5	312/20X2.5FA-NC	1401807000	22	0.65
3/4"	25 x 2.5	312/25X2.5FA-NC	1401808000	22	0.71
3/4"	25 x 3.0	312/25X3FA-NC	1401809000	22	0.71
3/4"	30 x 3.0	312/30X3FA-NC	1401810000	22	0.65
1"	25 x 2.5	316/25X2.5FA-NC	1401811000	30	0.97
1"	25 x 3.0	316/25X3FA-NC	1401812000	30	0.97
1"	30 x 3.0	316/30X3FA-NC	1401813000	30	0.90
1"	30 x 4.0	316/30X4FA-NC	1401814000	30	0.90
1"	38 x 4.0	316/38X4FA-NC	1401815000	30	0.78
1 1/4"	30 x 3.0	320/30X3FA-NC	1401816000	38	1.28
1 1/4"	30 x 4.0	320/30X4FA-NC	1401817000	38	1.05
1 1/4"	38 x 4.0	320/38X4FA-NC	1401818000	38	1.18
1 1/4"	38 x 5.0	320/38X5FA-NC	1401819000	38	1.11
1 1/4"	42 x 4.0	320/42X4FA-NC	1401820000	38	1.07
1 1/2"	30 x 3.0	324/30X3FA-NC	1401821000	52	1.91
1 1/2"	38 x 4.0	324/38X4FA-NC	1401822000	52	2.14
1 1/2"	42 x 4.0	324/42X4FA-NC	1401823000	52	2.04
1 1/2"	50 x 5.0	324/50X5FA-NC	1401824000	52	1.81
2"	50 x 5.0	332/50X5FA-NC	1401825000	61	2.96
2"	60 x 5.0	332/60X5FA-NC	1401826000	61	2.58
2"	60 x 6.0	332/60X6FA-NC	1401827000	61	2.58
2 1/2"	60 x 5.0	340/60X5FA-NC	1401828000	87	4.43
2 1/2"	73 x 7.0	340/73X7FA-NC	1401829000	87	4.12
2 1/2"	73 x 5.0	340/73X5FA-NC	1401828500	87	4.10
3"	73 x 5.0	348/73X5FA-NC	1401830500	139	7.50
3"	90 x 5.0	348/90X5FA-NC	1401832000	139	6.45

Insert cone for flare flange connection

ISO 6162-1 (SAE J 518 Code 61)



Type A



Type B



Type C



Type D

Metric pipes

Size	Part No Type A	ID Code Type A	Part No Type B	ID Code Type B	Part No Type C	ID Code Type C	Part No Type D	ID Code Type D	Pipe Size
1/2"	08/16X2FA	1401000300	08/16X2FB	1401000400	08/16X2FC	1401000500	08/16X2FD	1401000600	16x2.0
1/2"	08/18X2FA	1401002100	08/18X2FB	1401002200	08/18X2FC	1401002300	08/18X2FD	1401002400	18x2.0
1/2"	08/20X2FA	1401004100	08/20X2FB	1401004200	08/20X2FC	1401004300	08/20X2FD	1401004400	20x2.0
1/2"	08/25X2.5FA	1401006000	08/25X2.5FB	1401006100	08/25X2.5FC	1401006300	08/25X2.5FD	1401006400	25x2.5
1/2"	08/25X3FA	1401006600	08/25X3FB	1401006700	08/25X3FC	1401006800	08/25X3FD	1401006900	25x3.0
3/4"	12/20X2FA	1401010100	12/20X2FB	1401010200	12/20X2FC	1401010300	12/20X2FD	1401010400	20x2.0
3/4"	12/20X2.5FA	1401010600	12/20X2.5FB	1401010700	12/20X2.5FC	1401010800	12/20X2.5FD	1401010900	20x2.5
3/4"	12/25X2.5FA	1401012100	12/25X2.5FB	1401012200	12/25X2.5FC	1401012300	12/25X2.5FD	1401012400	25x2.5
3/4"	12/25X3FA	1401012600	12/25X3FB	1401012700	12/25X3FC	1401012800	12/25X3FD	1401012900	25x3.0
3/4"	12/30X3FA	1401014100	12/30X3FB	1401014200	12/30X3FC	1401014300	12/30X3FD	1401014400	30x3.0
1"	16/25X2.5FA	1401016100	16/25X2.5FB	1401016200	16/25X2.5FC	1401016300	16/25X2.5FD	1401016400	25x2.5
1"	16/25X3FA	1401016600	16/25X3FB	1401016700	16/25X3FC	1401016800	16/25X3FD	1401016900	25x3.0
1"	16/30X3FA	1401018100	16/30X3FB	1401018200	16/30X3FC	1401018300	16/30X3FD	1401018400	30x3.0
1"	16/30X4FA	1401018600	16/30X4FB	1401018700	16/30X4FC	1401018800	16/30X4FD	1401018900	30x4.0
1"	16/38X4FA	1401022700	16/38X4FB	1401022800	16/38X4FC	1401022900	16/38X4FD	1401023000	38x4.0
1 1/4"	20/30X3FA	1401024100	20/30X3FB	1401024200	20/30X3FC	1401024300	20/30X3FD	1401024400	30x3.0
1 1/4"	20/30X4FA	1401024420	20/30X4FB	1401024440	20/30X4FC	1401024500	20/30X4FD	1401024510	30x4.0
1 1/4"	20/38X4FA	1401028500	20/38X4FB	1401028600	20/38X4FC	1401028700	20/38X4FD	1401028800	38x4.0
1 1/4"	20/38X5FA	1401029000	20/38X5FB	1041029200	20/38X5FC	1041029300	20/38X5FD	1041029400	38x5.0
1 1/4"	20/42X4FA	1401030600	20/42X4FB	1401030700	20/42X4FC	1401030800	20/42X4FD	1401030900	42x4.0
1 1/2"	24/30X3FA	1401032700	24/30X3FB	1401032800	24/30X3FC	1401032900	24/30X3FD	1401033000	30x3.0
1 1/2"	24/38X4FA	1401034100	24/38X4FB	1401034200	24/38X4FC	1401034300	24/38X4FD	1401034400	38x4.0
1 1/2"	24/42X4FA	1401036600	24/42X4FB	1401036700	24/42X4FC	1401036800	24/42X4FD	1401036900	42x4.0
1 1/2"	24/50X5FA	1401039700	24/50X5FB	1401039800	24/50X5FC	1401039900	24/50X5FD	1401040000	50x5.0
2"	32/50X5FA	1401041100	32/50X5FB	1401041200	32/50X5FC	1401041300	32/50X5FD	1401041400	50x5.0
2"	32/60X5FA	1401042100	32/60X5FB	1401042200	32/60X5FC	1401042300	32/60X5FD	1401042400	60x5.0
2"	32/60X6FA	1401042600	32/60X6FB	1401042700	32/60X6FC	1401042800	32/60X6FD	1401042900	60x6.0
2 1/2"	40/60X5FA	1401045100	40/60X5FB	1401045200	40/60X5FC	1401045300	40/60X5FD	1401045310	60x5.0
2 1/2"	40/73X7FA	1401045480	40/73X7FB	1401045482	40/73X7FC	1401045484	40/73X7FD	1401045486	73x7.0
2 1/2"	40/73X5FA	1401045430	40/73X5FB	1401045432	40/73X5FC	1401045434	40/73X5FD	1401045436	73x5.0
3"	48/73X5FA	1401047400	48/73X5FB	1401047410	48/73X5FC	1401047420	48/73X5FD	1401047430	73x5.0
3"	48/90X5FA	1401048100	48/90X5FB	1401048200	48/90X5FC	1401048300	48/90X5FD	1401048400	90x5.0

Component material:
 Standard= carbon steel, zinc plated
 Stainless steel= add SS after Part No
 Other materials on request.
 Bonded seals and O-rings not included.

Insert cone for flare flange connection

ISO 6162-1 (SAE J 518 Code 61)



Type A



Type B



Type C



Type D

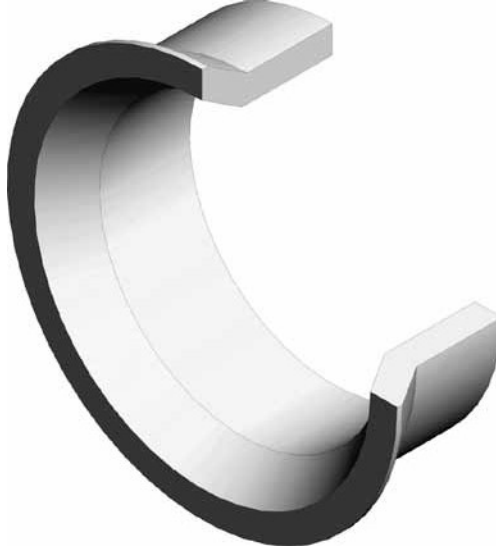
ANSI 36.10/36.19 pipes

Size	Part No Type A	ID Code Type A	Part No Type B	ID Code Type B	Part No Type C	ID Code Type C	Part No Type D	ID Code Type D	Pipe Size
1/2"	08/21.3X3.73FA	1401004921	08/21.3X3.73FB	1401004925	08/21.3X3.73FC	1401004930	08/21.3X3.73FD	1401004935	21.3X3.73
1/2"	08/21.3X4.78FA	1401004950	08/21.3X4.78FB	1401004955	08/21.3X4.78FC	1401004960	08/21.3X4.78FD	1401004965	21.3X4.78
3/4"	12/26.7X3.91FA	1401003130	12/26.7X3.91FB	1401013132	12/26.7X3.91FC	1401013134	12/26.7X3.91FD	1401013136	26.7X3.91
3/4"	12/26.7X5.56FA	1401013140	12/26.7X5.56FB	1401013145	12/26.7X5.56FC	1401013150	12/26.7X5.56FD	1401013155	26.7X5.56
1"	16/33.4X3.38FA	1401019720	16/33.4X3.38FB	1401019722	16/33.4X3.38FC	1401019724	16/33.4X3.38FD	1401019726	33.4X3.38
1"	16/33.4X4.55FA	1401019746	16/33.4X4.55FB	1401019748	16/33.4X4.55FC	1401019750	16/33.4X4.55FD	1401019752	33.4X4.55
1 1/4"	20/42.2X3.56FA	1401031020	20/42.2X3.56FB	1401031022	20/42.2X3.56FC	1401031024	20/42.2X3.56FD	1401031026	42.2X3.56
1 1/4"	20/42.2X4.85FA	1401031040	20/42.2X4.85FB	1401031042	20/42.2X4.85FC	1401031044	20/42.2X4.85FD	1401031046	42.2X4.85
1 1/2"	24/48.3X3.68FA	1401038220	24/48.3X3.68FB	1401038222	24/48.3X3.68FC	1401038224	24/48.3X3.68FD	1401038226	48.3X3.68
1 1/2"	24/48.3X5.08FA	1401038240	24/48.3X5.08FB	1401038242	24/48.3X5.08FC	1401038244	24/48.3X5.08FD	1401038246	48.3X5.08
2"	32/60.3X3.91FA	1401043720	32/60.3X3.91FB	1401043722	32/60.3X3.91FC	1401043724	32/60.3X3.91FD	1401043726	60.3X3.91
2"	32/60.3X5.54FA	1401043800	32/60.3X5.54FB	1401043820	32/60.3X5.54FC	1401043830	32/60.3X5.54FD	1401043840	60.3X5.54
2 1/2"	40/73X5.16FA	1401045450	40/73X5.16FB	1401045455	40/73X5.16FC	1401045460	40/73X5.16FD	1401045465	73X5.16
2 1/2"	40/73X7FA	1401045480	40/73X7FB	1401045482	40/73X7FC	1401045484	40/73X7FD	1401045486	73X7.01
3"	48/88.9X5.49FA	1401048030	48/88.9X5.49FB	1401048035	48/88.9X5.49FC	1401048040	48/88.9X5.49FD	1401048060	88.9X5.49
3"	48/88.9X7.62FA	1401048060	48/88.9X7.62FB	1401048062	48/88.9X7.62FC	1401048064	48/88.9X7.62FD	1401048066	88.9X7.62

Component material:
 Standard= carbon steel, zinc plated
 Stainless steel= add SS after Part No
 Other materials on request.
 Bonded seals and O-rings not included.

Sleeve

ISO 6162-1 (SAE J 518 Code 61)



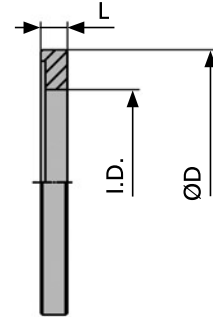
SAE 3000 PSI

Size	Part No	ID Code	Pipe O.D. [mm]
1/2"	08/16F	1401000100	16
1/2"	08/18F	1401002000	18
1/2"	08/20F	1401004000	20
3/4"	12/20F	1401010000	20
3/4"	12/25F	1401012000	25
1"	16/25F	1401016000	25
1"	16/30F	1401018000	30
1 1/4"	20/30F	1401024000	30
1 1/4"	20/38F	1401028000	38
1 1/2"	24/38F	1401034000	38
1 1/2"	24/42F	1401036000	42
2"	32/50F	1401041000	50
2 1/2"	40/60F	1401045000	60
3"	48/73F	1401047350	73

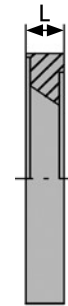
Component material:
 Standard= carbon steel, zinc plated
 Stainless steel= add SS after Part No
 Other materials on request.

Adapter

ISO 6162-1 (SAE J 518 Code 61)



Adapter between O-ring and bonded seal



Adapter between metric and ANSI 36.19

Please add 10 mm to bolt lengths mentioned on page 34.

Adapter between O-ring and standard GS bonded seal, metric pipes

Size	Part No	ID Code	L	D	ID	Weight [kg]
1/2"	08099	1803000100	7	30	14	0.02
3/4"	12099	1803001000	7	40	20	0.05
1"	16099	1803002000	7	45	24	0.06
1 1/4"	20099	1803003000	7	50	30	0.07
1 1/2"	24099	1803004000	7	60	39	0.09
2"	32099	1803005000	7	70	49	0.12
2 1/2"	40099	1803006000	7	84	60	0.16
3"	48099	1803007000	7	102	72	0.22

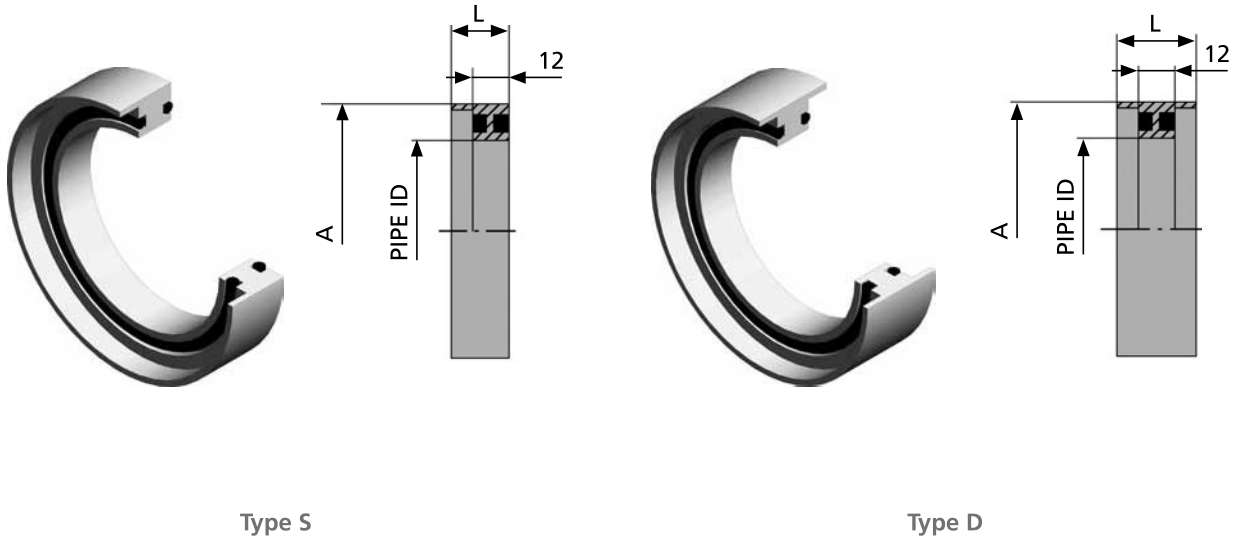
Adapter between metric and ANSI 36.10/36.19 pipes

Size	Part No	ID Code	A-Pipe	B-Pipe	Bonded Seal		L	Weight [kg]
					1	2		
1/2"	08087	1803201000	26x6.0	21.3x7.5	0823	0821	10	0.03
3/4"	12087	1803202000	36x8.0	26.7x7.8	1213	0823	10	0.06
1"	16087	1803203000	39x7.5	33.4x6.4	1629	1633	10	0.06
1"	16088	1803203500	39x7.5	33.4x9.1	1629	1633	10	0.07
1 1/4"	20087	1803204000	46x8.5	42.2x6.4	2030	2042	10	0.07
1 1/4"	20088	1803204500	46x8.5	42.2x9.7	2030	2042	10	0.08
1 1/2"	24087	1803205000	56x8.5	48.3x7.1	2432	2448	10	0.10
1 1/2"	24088	1803205500	56x8.5	48.3x10.2	2432	2448	10	0.11
2"	32087	1803206000	66x8.5	60.3x8.7	3219	3260	10	0.13
2"	32088	1803206500	66x8.5	60.3x11.1	3219	3260	10	0.14

Component material:
 Standard= carbon steel, zinc plated
 Stainless steel= add SS after Part No
 Other materials on request.

Seal carrier

ISO 6162-1 (SAE J 518 Code 61)



Type S

Type D

Please add at least 10 mm to bolt lengths mentioned on page 34.

Type S with O-rings between flange and block – metric pipes

Size	Part No	ID Code	O-Ring	A	L	Pipe Size
2"	3220S	1809010000	OR53.57X3.53	70	15	66x8.5
2 1/2"	4020S	1809011000	OR66.27X3.53	84	15	80x10
3"	4820S	1809012000	OR82.14X3.53	102	15	97x12

Type S with O-rings between flange and block – ANSI 36.10/36.19 pipes

Size	Part No	ID Code	O-Ring	A	L	Pipe Size
2"	3220/60.3X8.74S	1809010200	OR47.22X3.53	65	15	60.3x8.74
2 1/2"	4020/73X9.53S	1809011300	OR58.74X3.53	79	15	73.0x9.53
3"	4820/88.9X11.13S	1809012200	OR77.62X3.53	93	15	88.9x11.13

Type D with O-rings between flanges – metric pipes

Size	Part No	ID Code	O-Ring	A	L	Pipe Size
2"	3220D	1809010100	OR53.57X3.53	70	18	66x8.5
2 1/2"	4020D	1809011100	OR66.27X3.53	84	18	80x10
3"	4820D	1809012100	OR82.14X3.53	102	18	97x12

Type D with O-rings between flanges – ANSI 36.10/36.19 pipes

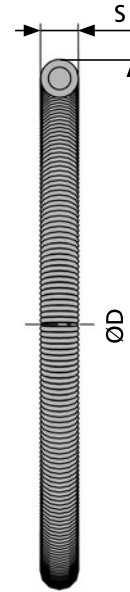
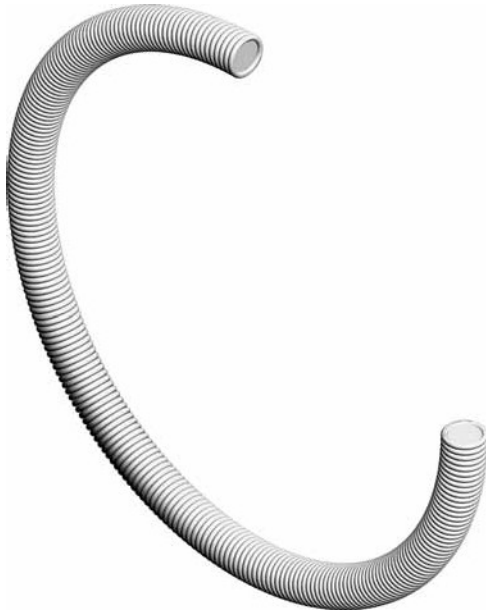
Size	Part No	ID Code	O-Ring	A	L	Pipe Size
2"	3220/60.3X8.74D	1809010300	OR47.22X3.53	65	18	60.3x8.74
2 1/2"	4020/73X9.53D	1809011400	OR58.74X3.53	79	18	73.0x9.53
3"	4820/88.9X11.13D	1809012300	OR77.62X3.53	93	18	88.9x11.13

Component material:
 Standard= carbon steel, zinc plated
 Stainless steel= add SS after Part No
 Other materials on request.

O-ring not included in a Part No,
 please order separately.

Retain ring

ISO 6162-1 (SAE J 518 Code 61)



Metric pipes

Size	Part No	ID Code	Pipe Size	D	S
1/2"	08	1902000150	26x6	30	4
3/4"	12	1902001050	36x8	40	4
1"	16	1902002050	39x7.5	44	5
1 1/4"	20	1902003050	46x8	51	5
1 1/2"	24	1902004050	56x8.5	61	5
2"	32	1902006050	66x8.5	71	5
2 1/2"	40	1902007050	80x10	85	5
3"	48	1902008050	97x12	103	6

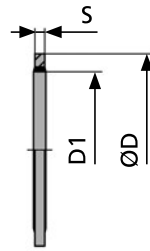
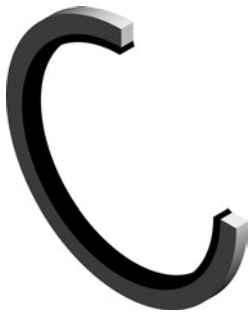
ANSI 36.10/36.19 pipes

Size	Part No	ID Code	Pipe Size	D	S
1/2"	08/21.3	1902000250	21.3x7.5	25.3	4
3/4"	12/26.7	1902001250	26.7x7.8	30.7	4
1"	16/33.4	1902002250	33.4x9.1	38.4	5
1 1/4"	20/42.2	1902003250	42.2x9.7	47.2	5
1 1/2"	24/48.3	1902004250	48.3x10.2	53.3	5
2"	32/60.3	1902006250	60.3x11.1	65.3	5
2 1/2"	40/73	1902007250	73.0x14.02	78.0	5
3"	48/88.9	1902008250	88.9x15.2	94.9	6

Component material:
AISI 316, special treated

Bonded seal

ISO 6162-1 (SAE J 518 Code 61)



Bonded seal for metric GS-pipe ends

Size	Standard Part No	Standard ID Code	SS Part No	SS ID Code	S	D	D1
1/2"	0823	2701001400	0823SS	2701100200	2.03	23.80	17.28
3/4"	1213	2701002000	1213SS	2701101000	2.34	33.27	24.26
1"	1629	2701003000	1629SS	2701102000	2.34	34.93	27.05
1 1/4"	2030	2701004000	2030SS	2701103000	3.25	42.80	33.89
1 1/2"	2432	2701005000	2432SS	2701104000	3.25	52.38	42.93
2"	3219	2701007000	3219SS	2701105000	3.25	63.50	51.69
2 1/2"	4037	2701008000	4037SS	2701107000	3.25	75.00	64.39
3"	4839	2701009000	4839SS	2701108000	3.25	90.17	76.08

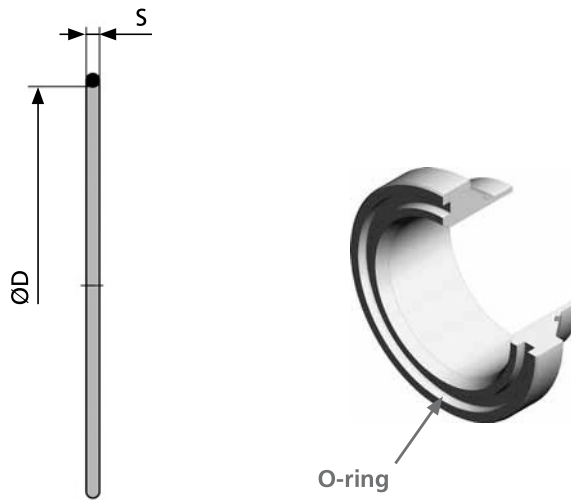
Bonded seal for ANSI 36.10/36.19 GS-pipe ends

Size	Standard Part No	Standard ID Code	SS Part No	SS ID Code	S	D	D1
1/2"	0821	2701001000	0821SS	2701100000	2.00	15.88	10.37
3/4"	0823	2701001400	0823SS	2701100200	2.03	23.80	17.28
1"	1633	2701003400	1633SS	2701102100	2.34	28.58	21.54
1 1/4"	2042	2701004400	2042SS	2701103400	2.34	39.00	31.00
1 1/2"	2448	2701005200	2448SS	2701104500	3.25	44.45	35.94
2"	3260	2701007400	3260SS	2701105400	3.25	55.50	46.50
2 1/2"	4073	2701008200	4073SS	2701107500	3.25	69.85	54.89
3"	4888	2701009200	4888SS	2701108300	4.00	83.80	70.00

Material possibilities:
 Standard= carbon steel, zinc plated with NBR
 SS= stainless steel with NBR
 Other materials and combinations on request.

O-ring between 37° insert cones

ISO 6162-1 (SAE J 518 Code 61)



Size	Part No	ID Code	GS Size
1/2"	OR18.64X3.53	2701506000	08
3/4"	OR24.99X3.53	2701512000	12
1"	OR32.92X3.53	2701519400	16
1 1/4"	OR37.69X3.53	2701524200	20
1 1/2"	OR47.22X3.53	2701529000	24
2"	OR56.75X3.53	2701535000	32
2 1/2"	OR69.44X3.53	2701540000	40
3"	OR85.32X3.53	2701546000	48

Material possibilities:
 Standard= NBR, Shore 90 A
 FPM (Viton®), Shore 90 A= add VI after Part No
 Other materials on request.

O-ring 2 for insert cones

ISO 6162-1 (SAE J 518 Code 61)



Metric pipes

Pipe Size	Part No	ID Code
16x2,0	OR12X1.0	2701500000
18x2,0	OR14X1.0	2701502000
20x2,0	OR16X1.0	2701504000
20x2,5	OR15X1.0	2701503000
25x2,5	OR20X1.0	2701508000
25x3,0	OR19X1.0	2701507200
30x3,0	OR23X1.0	2701511000
30x4,0	OR22X1.0	2701510000
38x4,0	OR30X1.0	2701517200
38x5,0	OR28X1.0	2701516000
42x3,0	OR34X1.0	2701521200
42x4,0	OR34X1.0	2701521200
50x5,0	OR41X1.78	2701525000
60x5,0	OR50.52X1.78	2701531000
60x6,0	OR47.35X1.78	2701529200
73x7,0	OR56.87X1.78	2701535200
73x5,0	OR63.22X1.78	2701537000
90x5,0	OR79X1.78	2701543000

ANSI 36.10/36.19 pipes

Pipe Size	Part No	ID Code
21.3x3.73	OR14X1.0	2701502000
21.3x4.78	OR12X1.0	2701500000
26.7x3.91	OR20X1.0	2701508000
26.7x5.56	OR16X1.0	2701504000
33.4x3.38	OR25X1.0	2701513200
33.4x4.55	OR23X1.0	2701511000
42.2x3.56	OR34X1.0	2701521200
42.2x4.85	OR32X1.0	2701519600
48.3x3.68	OR41X1.78	2701525000
48.3x5.08	OR37.82X1.78	2701524600
60.3x3.91	OR50.52X1.78	2701531000
60.3x5.54	OR47.35X1.78	2701529200
73.0x5.16	OR63.22X1.78	2701537000
73.0x7.01	OR56.87X1.78	2701535200
88.9x5.49	OR79X1.78	2701543000
88.9x7.62	OR72.75X1.78	2701541000

Material possibilities:
 Standard= NBR, Shore 90 A
 FPM (Viton®), Shore 90 A= add VI after Part No
 Other materials on request.

ED-Seal for male thread couplings

ISO 6162-1 (SAE J 518 Code 61)



Part No	ID Code
ED R1/2 VI	2201861910
ED R3/4 M26X1.5 27X2 VI	2201862410
ED R1+M33X2 VI	2201863010
ED R11/4+M42X2 VI	2201863310
ED R11/2+M48X2 VI	2201863610

Material: FPM (Viton®)